

Aluminum Medium Capacity Single Point Load Cell



FEATURES

- Capacities 50-250 kg
- Aluminum construction
- Single point
- 400 x 400mm platform
- 6 Wire (sense) circuit
- IP66 protection
- OIML R60 C6 approved
- Factory Mutual approved
- Hazardous area approved

Model 1242 is a high accuracy, low profile, low cost, two beam, single point load cell ideally suited for industrial application where space is limited. Typical applications include platforms, hanging scales and personal weighers.

This high accuracy load cell is OIML R60 class C6 approved. For hazardous environments this load cell has EEx ia IIC T4 level of approval, as well as Factory Mutual approval.

A special humidity resistant protective coating assures long term stability over the entire compensated temperature range.

The two additional sense wires feed back the voltage reaching the load cell. Complete compensation of changes in lead resistance due to temperature change and/or cable extension can be achieved by feeding this voltage into the appropriate electronics.

SPECIFICATION				
GRADE	E	C3/50**	C6/60**	UNITS
Rated Capacities	50, 100,150, 200, 250			kg
Rated Output	2.0 ± 10%			mV/V
Total Error*	0.030	0.020	0.010	± % of rated output
Zero Return after 30 mins	0.050	0.017	0.0083	± % of applied load
Temperature Effect: On Output	0.003	0.001	0.00058	± % of applied load/°C
On Zero	0.010	0.0023	0.0024	± % of rated output/°C
Eccentric Loading	0.0074	0.0049	0.0024	± % of applied load/cm
Zero Balance	10.0			± % of rated output
Temperature Range: Operating	- 20 to + 70			°C
Compensated	- 10 to + 40			°C
Safe Overload	150			% of rated capacity
Ultimate Overload	300			% of rated capacity
Excitation: Recommended	10			Volts AC or DC
Maximum	15			Volts AC or DC
Input Impedance	415 ± 15			Ohms
Output Impedance	350 ± 5			Ohms
Insulation Impedance	> 2000			MegaOhms
Deflection at Rated Capacity	< 0.4			mm
Weight: All types	0.6			kg
Construction	Anodized Aluminum (Aluminum Optional)			
Environmental Protection	IP66			
Cable	1.5 meter (Standard), 6 Wire, PVC Jacket, Floating Screen			
Platform Size (max)	400 x 400			mm

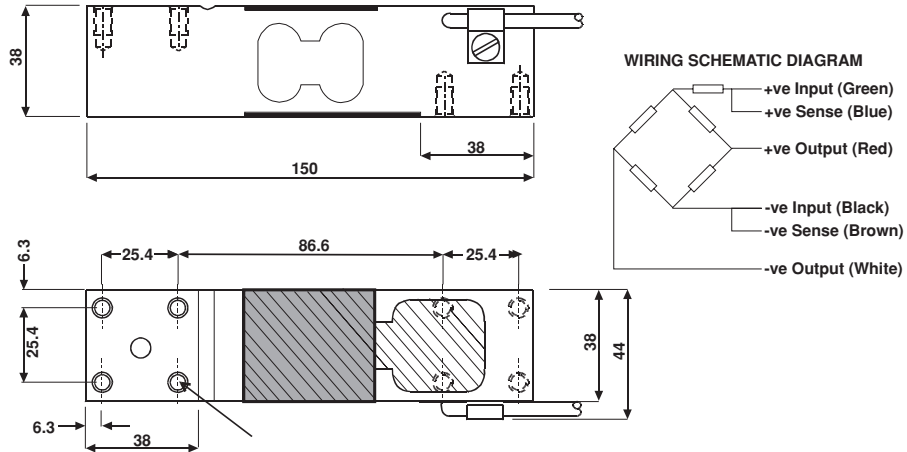
1242

Vishay TedeA-Huntleigh



Aluminum Medium Capacity Single Point Load Cell

DIMENSIONS in millimeters



VISHAY TRANSDUCERS (VT) - SALES OFFICE Denmark

Nordic Transducer

Als Odde DK9560 Hadsund Denmark
ph.: +45 98581444 - Fax. +45 98581866
e-mail: ntt@ntt.dk - web: www.ntt.dk