

## Stainless Steel Shear Beam Load Cell



### FEATURES

- Capacities 500 - 2000 kg
- Stainless steel construction
- OIML R60
- Sealed to IP67

### OPTIONAL FEATURES

- EEx ia IIC T6 hazardous area approval

### DESCRIPTION

Model 3520 is a low profile shear beam load cell designed for high accuracy platform scales, pallet scales and process weighing applications.

It has high immunity to shock or side loading, and is available in 2mV/V sensitivity and is approved to OIML 6000 divisions.

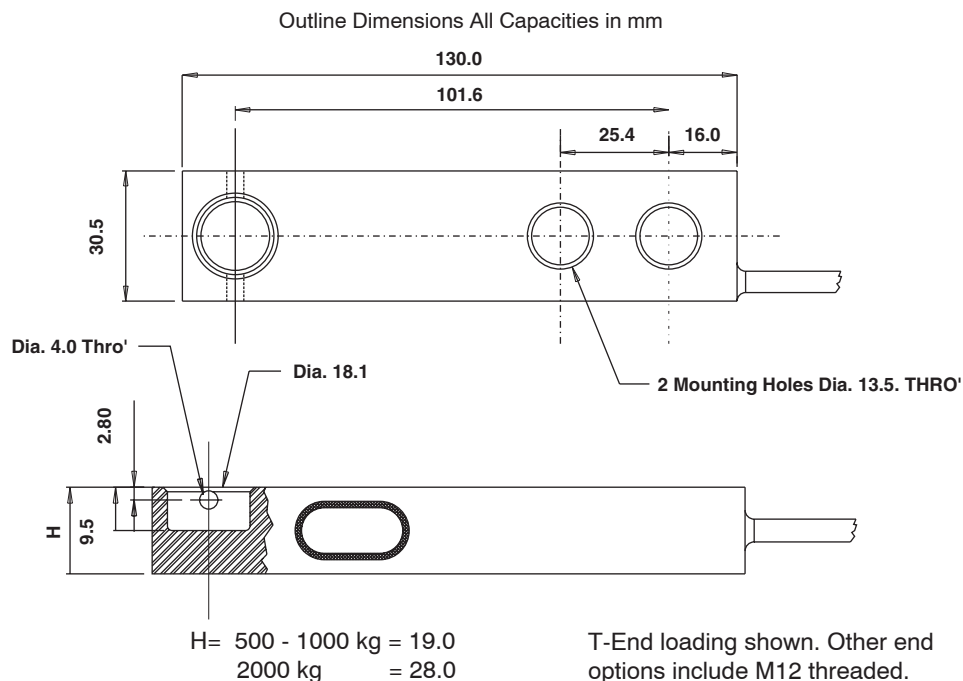
Sealed to IP67 as standard the 3520 is ideally suited for harsh industrial applications where performance and durability are paramount.

The extremely low profile makes this load cell ideal for today's modern low profile industrial platforms.

### APPLICATIONS

- Low profile platforms
- Pallet truck weighing
- Tank and silo weighing
- Food industry platforms

### OUTLINE DIMENSIONS in millimeters



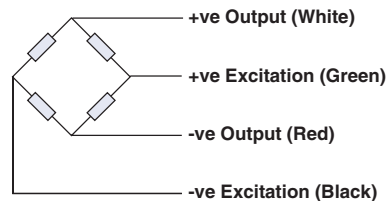
## SPECIFICATIONS

PARAMETER	VALUE			UNIT
	Non-Approved	C3*	C6**	
OIML Accuracy class				
Maximum no. of intervals (n)	1000	3000	6000	
$Y = E_{max}/V_{min}$	4000	12000	15000	Maximum available
Rated capacity-R.C. ( $E_{max}$ )	500, 1000, 2000			kg
Rated output-R.O.	2.0			mV/V
Rated output tolerance	0.002			± mV/V
Zero balance	0.04			+ mV/V
Zero Return, 30 min.	0.050	0.017	0.0083	± % of applied load
Total Error	0.0500	0.0200	0.0100	± % of rated output
Temperature effect on zero	0.007	0.0023	0.0014	± % of rated output/°C
Temperature effect on output	0.002	0.0010	0.00058	± % of applied load/°C
Temp. range, compensated	-10 to +40			°C
Temp. range, safe	-30 to +90			°C
Maximum safe central overload	150			% of R.C.
Ultimate central overload	300			% of R.C.
Excitation, recommended	10			Vdc or Vac rms
Excitation, maximum	15			Vdc or Vac rms
Input impedance	380 ± 15			Ohms
Output impedance	350 ± 3			Ohms
Insulation resistance	> 2000			Mega-Ohms
Cable length	3			m
Cable type	4 wire, braided, Polyurethane, floating screen			Standard
Construction	Stainless steel			
Environmental protection	IP67			
Recommended torque	136.0			N*m

\* 50% utilization

\*\* 60% utilization

Wiring Schematic Diagram



## VISHAY TRANSDUCERS (VT) SALES OFFICE Denmark

### Nordic Transducer

Als Odde DK9560 Hadsund Denmark  
 ph.: +45 98581444 - Fax: +45 98581866  
 e-mail: [ntt@ntt.dk](mailto:ntt@ntt.dk) - web: [www.ntt.dk](http://www.ntt.dk)