

Model 355 Welded, Hermetically sealed Load cell



Model 355 is a welded bending load cell manufactured in stainless steel. Hermetically sealed against moisture the model 355 construction and polyurethane shielded cable enables the load cell to function in harsh environments while maintaining its operating specifications.

The low profile, high accuracy and sealing makes this load cell highly suitable for applications such as low profile platforms, weighing and packing machines, conversion of mechanical scales and variety of other applications where

FEATURES

- Capacities 5 - 500kg
- Stainless steel construction
- Industry standard size and shape
- Hostile environment capability
- Hazardous area approved to EEx ia IIC T6 and FM
- OIML R60 and NTEP approved
- Hermetically sealed to IP68
- 6 wire (sense) circuit

sealed cells are required. For hazardous environments this load cell is available with EEx ia IIC T6 level of approval as an option.

The two additional sense wires feed back the voltage reaching the load cell. Complete compensation of change in the lead resistance due to temperature change and/or cable extension, is achieved by feeding this voltage into the appropriate electronics.

SPECIFICATIONS					
GRADE	E	C2/15	C3**	C4**	UNITS
Rated Capacities	5, 10, 20, 30, 50, 100, 200, 250, 500				kg
Rated Output	2.0 ± 0.1%				mV/V
Total Error*	0.050	0.030	0.020	0.015	± % of applied load
Zero Return after 30 mins	0.050	0.025	0.017	0.013	± % of applied load
Temperature Effect: On Output On Zero	0.004	0.0017	0.0010	0.0008	± % of applied load/°C
	0.007	0.0011	0.0014	0.0011	± % of rated output/°C
Zero Balance	3	2			± % of rated output
Temperature Range: Operating Compensated	- 30 to + 80				°C
	- 10 to + 40				°C
Safe Overload	150				% of rated capacity
Ultimate Overload	300				% of rated capacity
Excitation: Recommended Maximum	10				Volts AC or DC
	15				Volts AC or DC
Input Impedance	380 ± 10				Ohms
Output Impedance	350 ± 10/-3				Ohms
Insulation Impedance	> 2000				MegaOhms
Deflection at Rated Capacity	< 0.4				mm
Weight: All Types	0.35				kg
Construction	Stainless steel				
Environmental Protection	IP68				
Cable	3 meter (standard), 6 wire, polyurethane jacket, dual floating screen				

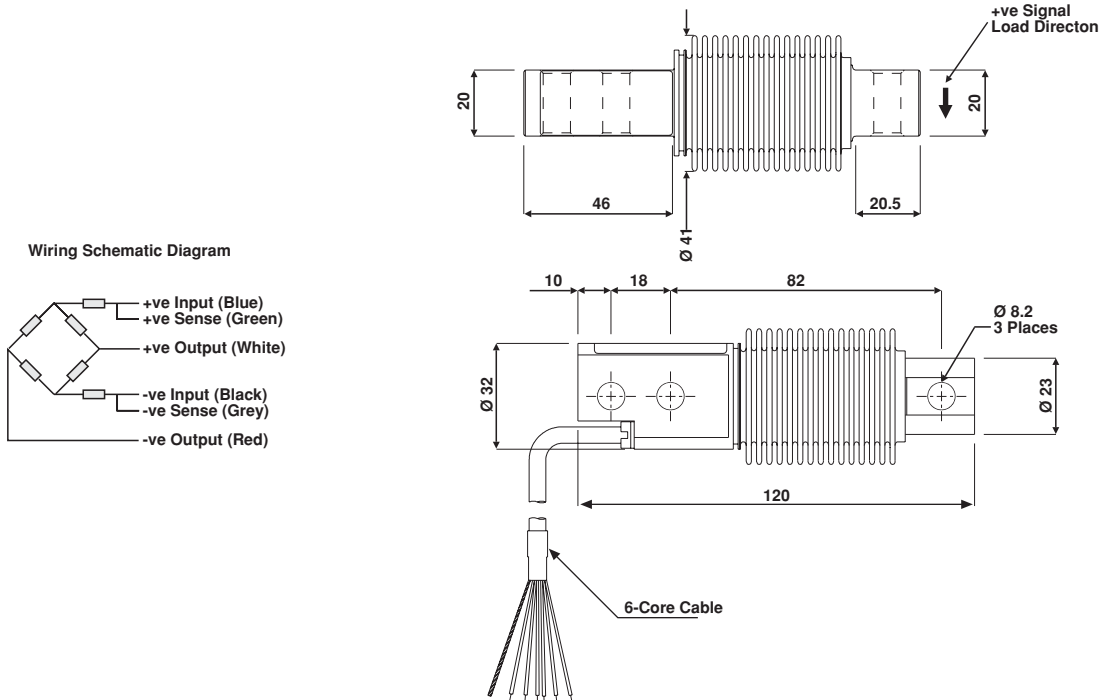
*Total Error - According to OIML R60

Grade C1 available on request

**30% utilization - other utilization factors available

Model 355 Welded, Hermetically Sealed Load Cell

DIMENSIONS in millimeters



VISHAY TRANSDUCERS (VT) - SALES OFFICE Denmark

Nordic Transducer

Als Odde DK9560 Hadsund Denmark
 ph.: +45 98581444 - Fax. +45 98581866
 e-mail: ntt@ntt.dk - web: www.ntt.dk