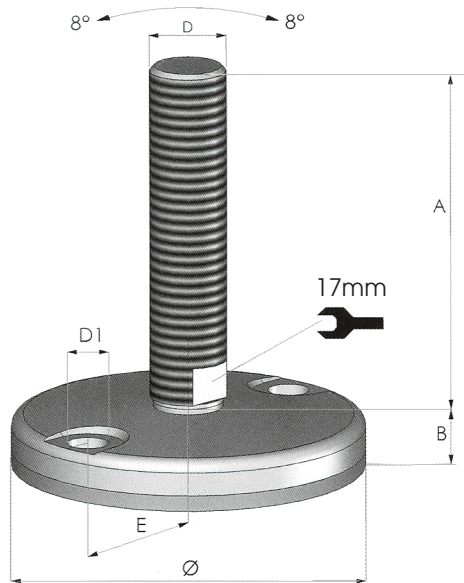


NORDIC TRANSDUCER

Load cell foot type KJ-90



Diameter \varnothing	= 90
A	= 100
B without rubber	= 17
B with rubber	= 22
D	= M20x1.5
D1	= 13
E	= 32
Max. load	= 6000kg

Dimensions in mm



Shear Beam Bending Load Cell 5000kg
shown with KJ-90 foot

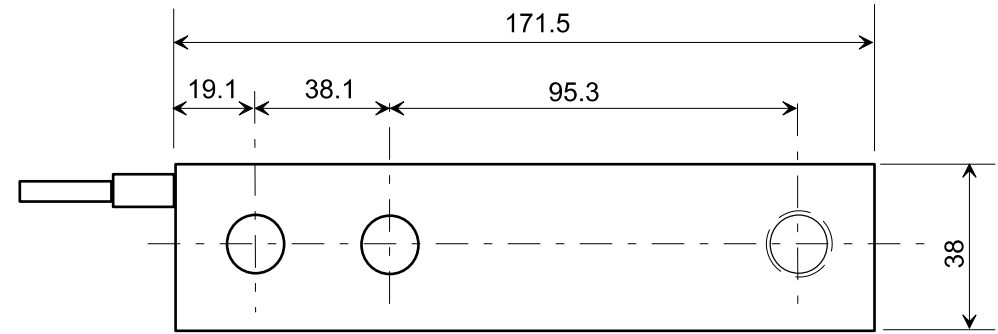
1 2 3 4 5 6

A

A

SHEAR BEAM CELL STAINLESS STEEL 5.0t 1000 Ohm

TOP View

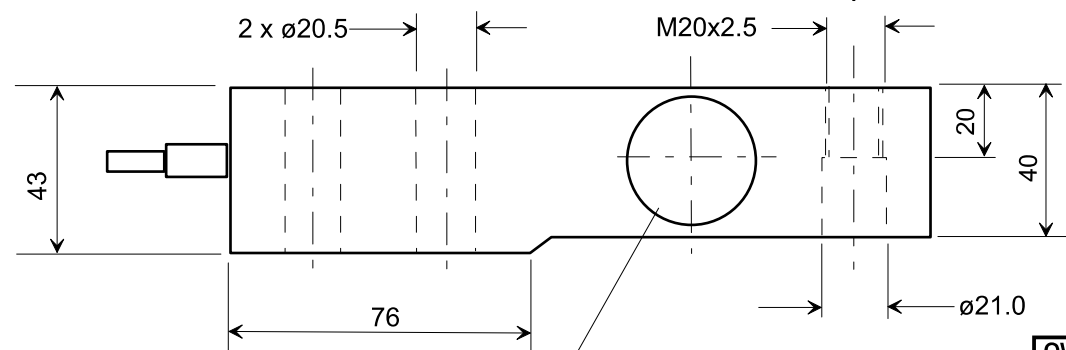


Capacity:		5000kg
Sensitivity	mV/V	2/-0.01
Non linearity	%FS	+/-0.02
Hysteresis	%FS	+/-0.02
Repeatability	%FS	+/-0.01
Creep	%FS/30min	+/-0.02
Zero balance	%FS	+/-1
Zero temp. drift	applied Load	20ppm/°C
Span temp. drift	applied Load	20ppm/°C
Supply voltage	V	max. 20 (AC/DC)
Temp. compensation range		-10 - +50 °C
Input Impedance		1000+/- 10 Ohms
Output Impedance		1000+/- 10 Ohms
Safe overload	%FS	150
Cell material:		Stainless Steel
Cable high quality type		ø5.5 x 6000mm
4 wire		
Supply/ Input+ :	Red,	Input-: Black
Output +:	Green,	Output -: White
Cable screen is not connected to load cell body		
Metal seal and potting of gauge area to IP65		

B

B

Force direction



C

C

D

D

OWNER: Nordic Transducer Denmark www.ntt.dk	
TITLE: Outline of load cell type: 9222-D3-5.0t	
DRAWN BY: KD	DATE: 22-11-05
ID: # 9222-D3-221105	REVISION: 02

1 2 3 4 5 6