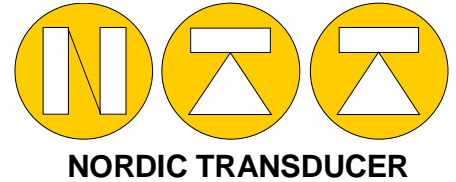


Shear Beam Load Cell



Type A-SBT10 5000kg

Delivered as CC non approved jobs in very Hostile environments



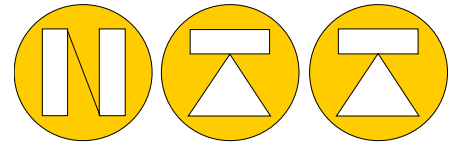
A-SBT10 SPECIFICATIONS

NOMINAL LOAD	5000kg		
Produced according to:	Class: CC to be used for internal weighing in Hostile Jobs.		
Combined Error	< +/- 0.050%		
Non-Repeatability	< +/- 0.030%		
Zero Drift 30min.	< +/- 0.015%		
TEMPERATUR EFFECT 10°C			
on zero	< +/- 0.020 %FS/10°C°		
on span	< +/- 0.020 %FS/10°C°		
Operating Temperatur	-30C°.....+70C°		
NOMINAL SENSITIVITY +/-0.1%	2mV/Volt	a) minimum load	0%
INPUT RESISTANCE	380 Ohm +/-10 Ohm	b) service load	120%
OUTPUT RESISTANCE	350 Ohm +/- 3 Ohm	c) max. permissible load	150%
ZERO BALANCE	1%	d) breaking load	>300%
SUPPLY VOLTAGE N.10V	5 - 15 Volt	e) max. side load	100%
Wiring: Excitation+ Blue Sense + Green Excitation- Black Sense - Gray Output+ White Output- Red		f) max. dynamic load	50%
		DISPLACEMENT N.LOAD	0.3mm
		TEMP. RANGE OIML R60	- 10/+40 °C
		PROTECTION CLASS	IP68
		CELL MATERIAL	Stainless Steel
		PUR CABLE Ø 5mm length	5 meter

Nordic Transducer

All specifications subject to change without notice

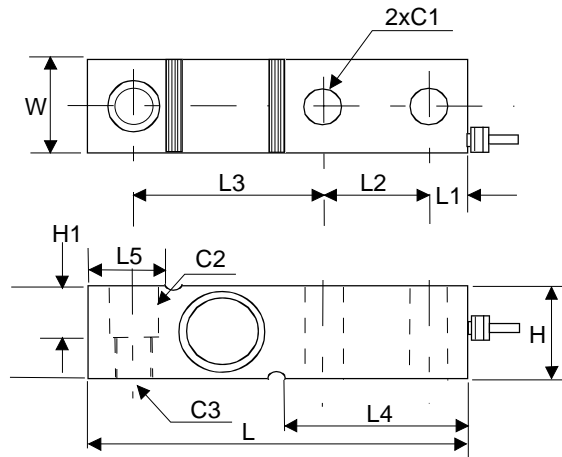
Model: A-SBT10



NORDIC TRANSDUCER

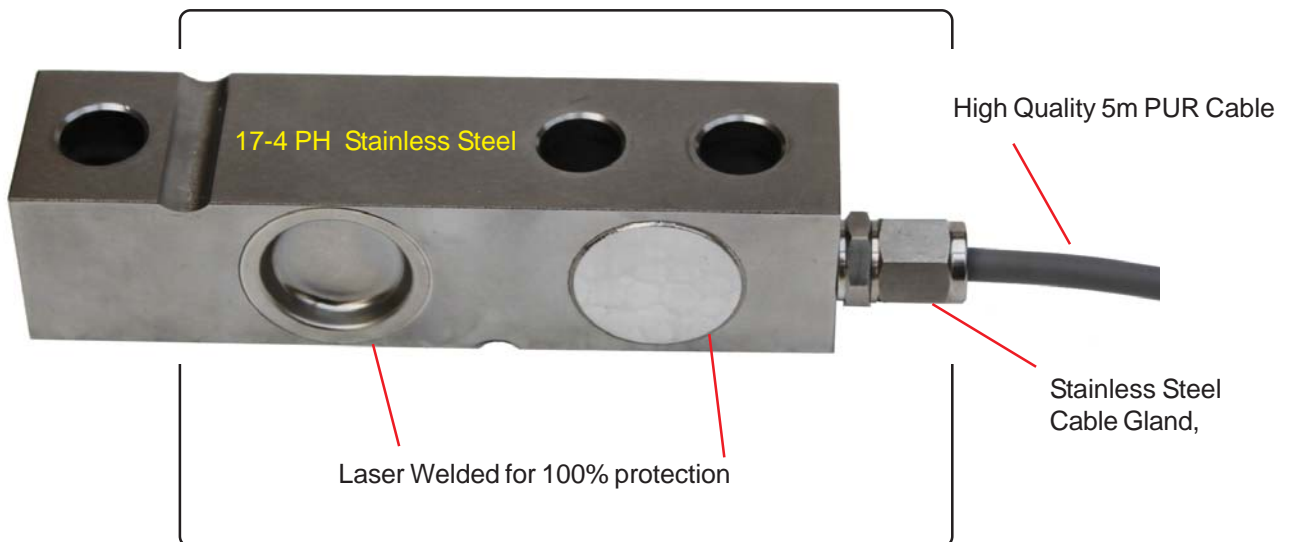
Fully Welded IP68 (EN 60529)
 5000kg Laser welded all over ! No potting !
 Special Stainless Steel Cable gland
 5m Special PUR cable for tuff usage.

DIMENSIONS A-SBT10-5t



C1	C2	C3	H	H1	L	L1	L2	L3	L4	L5	W
Ø19	Ø22.5	M20x2.5	48	23.5	170	19	38	95.25	70	37	36.5

Dimensions similar to VTH 3510
 & Thame side T85.



Cable: PVC 105°C Ø5.5mm with 6 tinned conductors Ø 0.35mm² and tinned shield similar as Vishay TH 3510

Nordic Transducer

Als Odde, DK-9560 Hadsund Denmark
 Tel.: +45 98581444, Fax.: +45 98581866
 E-mail: ntt@ntt.dk, WEB: www.ntt.dk