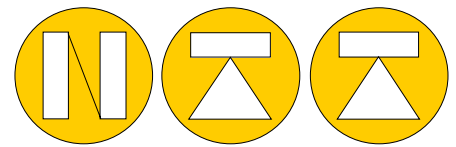


# Shear Beam Load Cell



**NORDIC TRANSDUCER**

## Type A-SBT10 300kg ...2000kg

Delivered as CC non approved jobs in very Hostile environments



Fully Welded IP68 ( EN 60529)  
 From 300kg to 1000kg  
 Laser welded all over ! No potting !  
 Special Stainless Steel Cable gland  
 5m Special PUR cable

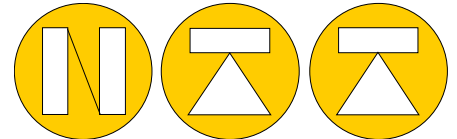
### A-SBT10 SPECIFICATIONS

NOMINAL LOAD	300kg, 500kg, 1000kg & 2000kg		
Produced according to:	Class: CC to be used for internal weighing in Hostile Jobs.		
Combined Error	< +/- 0.050%		
Non-Repeatability	< +/- 0.030%		
Zero Drift 30min.	< +/- 0.015%		
TEMPERATURE EFFECT 10°C			
on zero	< +/- 0.020 %FS/10°C°		
on span	< +/- 0.020 %FS/10°C°		
Operating Temperatur	-30C°.....+70C°		
NOMINAL SENSITIVITY +/-0.1%	2mV/Volt	a) minimum load	0%
INPUT RESISTANCE	380 Ohm +/-10 Ohm	b) service load	120%
OUTPUT RESISTANCE	350 Ohm +/- 3 Ohm	c) max. permissible load	150%
ZERO BALANCE	1%	d) breaking load	>300%
SUPPLY VOLTAGE N.10V	5 - 15 Volt	e) max. side load	100%
<b>Wiring:</b> Excitation+      Blue Sense +            Green Excitation-      Black Sense -            Gray Output+          White Output-          Red		f) max. dynamic load	50%
		DISPLACEMENT N.LOAD	0.3mm
		TEMP. RANGE OIMLR60	- 10/+40 °C
		PROTECTION CLASS	IP68
		CELL MATERIAL	Stainless Steel
		PUR CABLE Ø 5mm length	5 meter
		Sense wires = Standard	

**Nordic Transducer**

All specifications subject to change without notice

# Model: A-SBT10

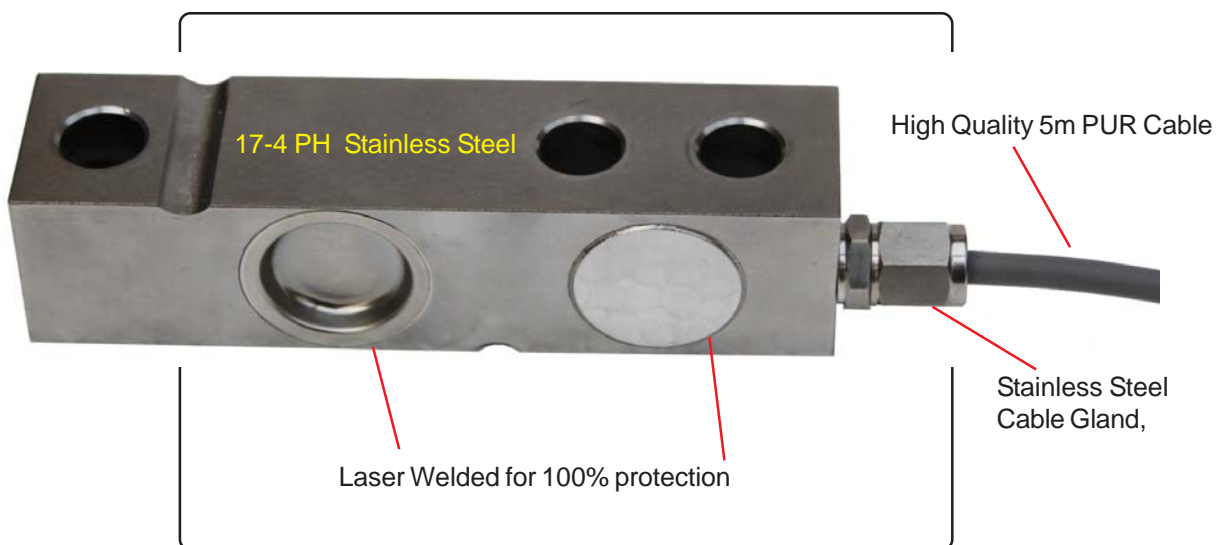


**NORDIC TRANSDUCER**

Model A -SBT10 provides the weighing industry with the ultimate protection necessary for today's hostile environments in an economical low profile range suitable for platform scale manufacture. Its low profile and all welded sealing combined with high accuracy makes this load cell ideally suited for low profile platforms, pallet truck weighers, tanks and silos. The guide slots incorporated into the upper and lower mounting faces enable manufacturers to easily position the load cell.



Hermetical sealed against moisture, the construction of the model A-SBT10 in combination with a polyurethane dual shielded cable, enables continuous operation in harsh environments whilst maintaining a high operating specification. The two additional sense wires feed back the voltage reaching the load cell. Complete compensation of changes in lead resistance due to temperature change and/or cable extension, is achieved by feeding this voltage into the appropriate electronics



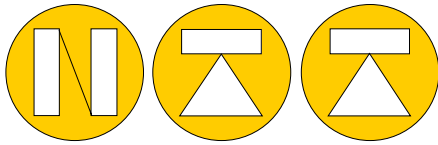
## Nordic Transducer

Als Odde, DK-9560 Hadsund Denmark

Tel.: +45 98581444, Fax.: +45 98581866

E-mail: [ntt@ntt.dk](mailto:ntt@ntt.dk), WEB: [www.ntt.dk](http://www.ntt.dk)

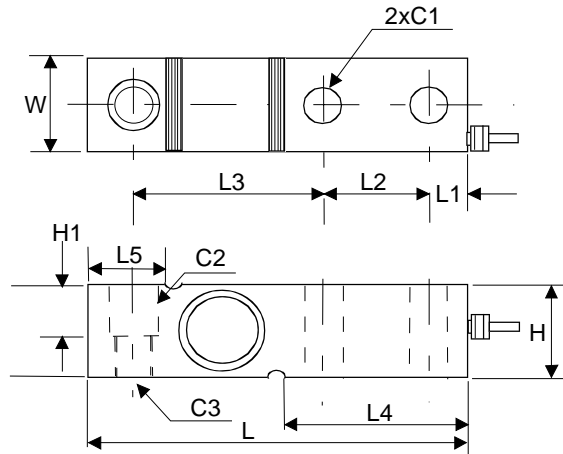
**Cable:** PVC 105°C Ø5.5mm with 6 tinned conductors Ø 0.35mm<sup>2</sup> and tinned shield similar as Vishay TH 3510



**NORDIC TRANSDUCER**



**DIMENSIONS A-SBT10 300kg .... 2000kg**



C1	C2	C3	H	H1	L	L1	L2	L3	L4	L5	W
Ø13	Ø13.5	M12x1.75	32	16	130	19	25.4	76.2	50.5	12.6	32

*Dimensions similar to VTH 3510  
& Thame side T85.*

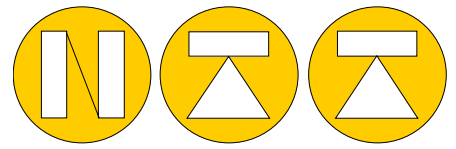
**Nordic Transducer**

Als Odde, DK-9560 Hadsund Denmark

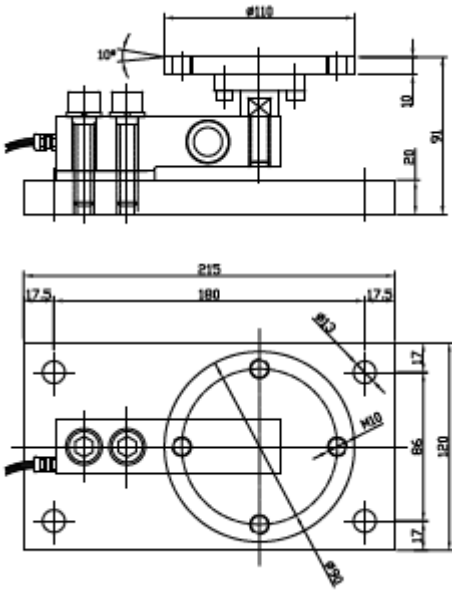
Tel.: +45 98581444, Fax.: +45 98581866

E-mail: [ntt@ntt.dk](mailto:ntt@ntt.dk), WEB: [www.ntt.dk](http://www.ntt.dk)

# Type A-SBT10 300kg ...2000kg



**NORDIC TRANSDUCER**

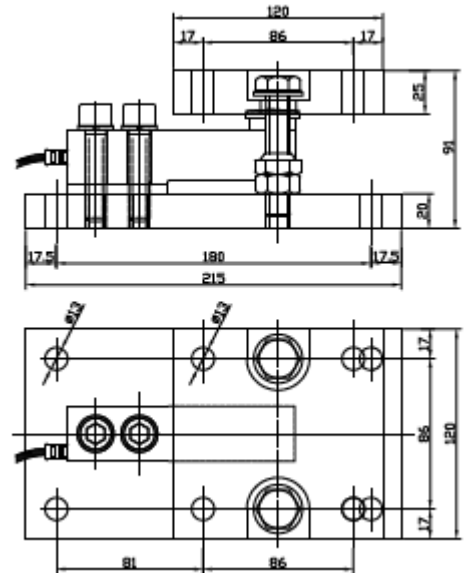
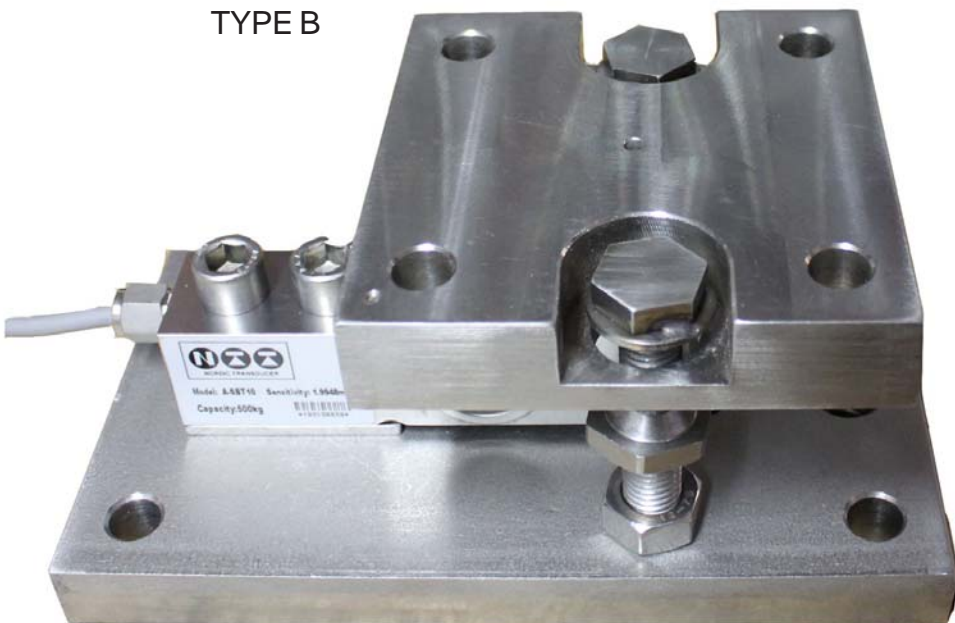


TYPE A



SILO mount for A-SBT10 load cells 300kg...2000kg

TYPE B



**Nordic Transducer**

Als Odde, DK-9560 Hadsund Denmark  
Tel.: +45 98581444, Fax.: +45 98581866  
E-mail: [ntt@ntt.dk](mailto:ntt@ntt.dk), WEB: [www.ntt.dk](http://www.ntt.dk)