

NORDIC TRANSDUCER

Compression Load Cell

Type AC-2A - AC-2A/ANTIV

15 - 50ton

100* ton 150 & 200* ton



ANTIV-I/AC-2 Tank weighing unit.



Complies with 4000 divisions CE OIML-R60
Fully welded. Protected against humidity IP-68 (DIN 40050)
Manufactured complete in Stainless steel

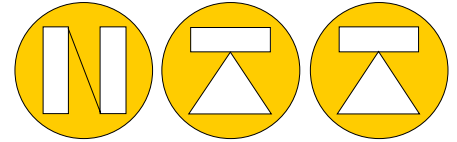
AC-2A SPECIFICATIONS

NOMINAL LOAD	15 - 20 - 25 - 30 - 35 - 40 - 50 - 75t - 100* - 150* 200* ton		
Produced according to:	OIML R60 Class C3 / C4 (15t - 75t)		
Combined Error	< +/- 0.020%		
Non-Repeatability	< +/- 0.010%		
Zero Drift 30min.	< +/- 0.015%		
TEMPERATURE EFFECT 10°C			
on zero	< +/- 0.010 %		
on span	< +/- 0.010 %		
V_{min}	E _{max} /10000		
NOMINAL SENSITIVITY +/-0.1%	2mV/Volt	a) minimum load	0%
INPUT RESISTANCE	800 Ohm +/-3 Ohm	b) service load	120%
OUTPUT RESISTANCE	700 Ohm +/- 3 Ohm	c) max. permissible load	150%
ZERO BALANCE	0.5%	d) breaking load	>300%
SUPPLY VOLTAGE N.10V	5 - 15 Volt	e) max. side load	10%
Wiring:	Excitation+ Red Sense + Yellow Excitation- Black Sense - Blue Output+ Green Output- White	max. side load with ANTIV-I	100%
		f) max. dynamic load	50%
		DISPLACEMENT N.LOAD	0.3mm
		TEMP. RANGE OIML R60	- 10/+40 °C
		PROTECTION CLASS	IP68
		CELL MATERIAL	Stainless Steel
		CABLE Ø 5.5mm length	15 meter

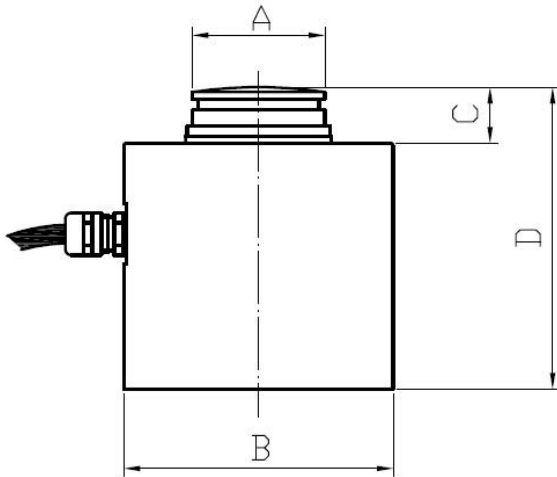
Nordic Transducer

All specifications subject to change without notice

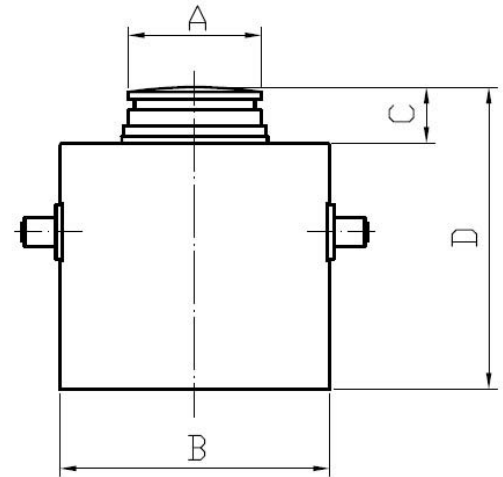
*CE test certificate only available



NORDIC TRANSDUCER

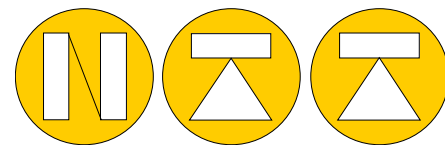


AC-2A From 08-2018 also 50ton
AC-2DP



AC-2DC

Model	Capacity (t)	A	B	C	D
AC-2	5-25-30-35-40	ø43.8	ø88.9	18.4	99.4
	75-100	ø56	ø113.5	18.5	123.3
	200	ø79	ø167.5	28	208



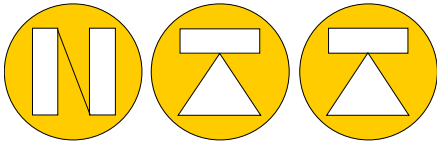
NORDIC TRANSDUCER

Type AC-2A/ANTIV TANK MOUNT 15 - 50 ton



Maximum acceptable force in the arm direction : 54kN
Displacement transversal to the arm 4.5mm

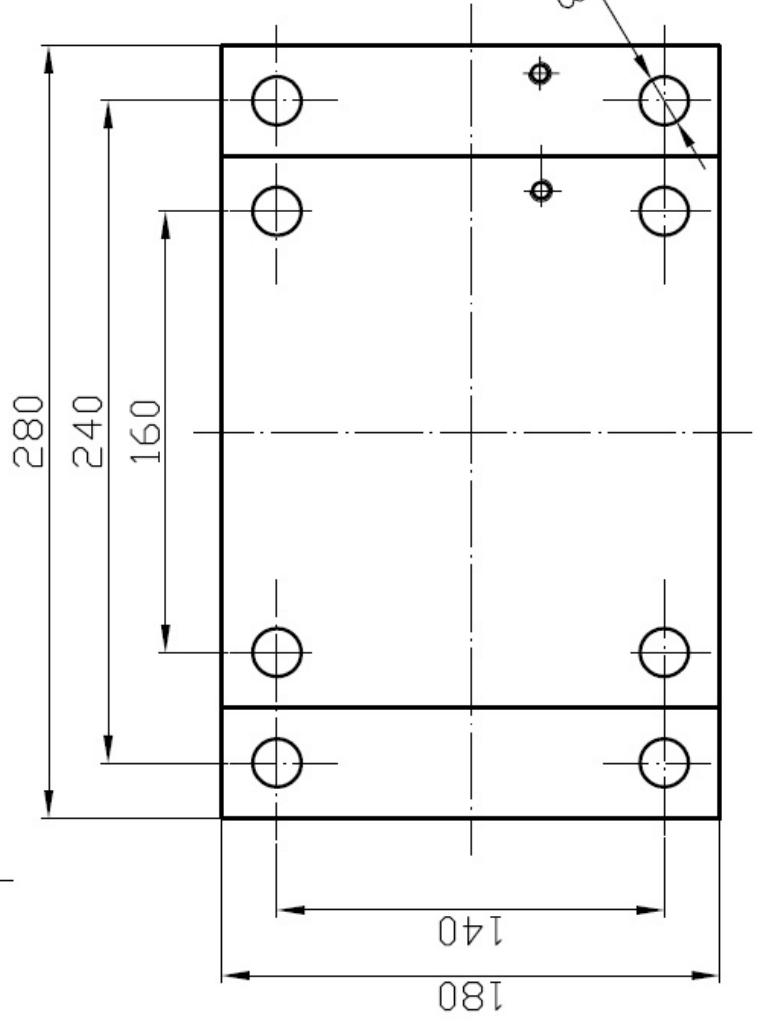
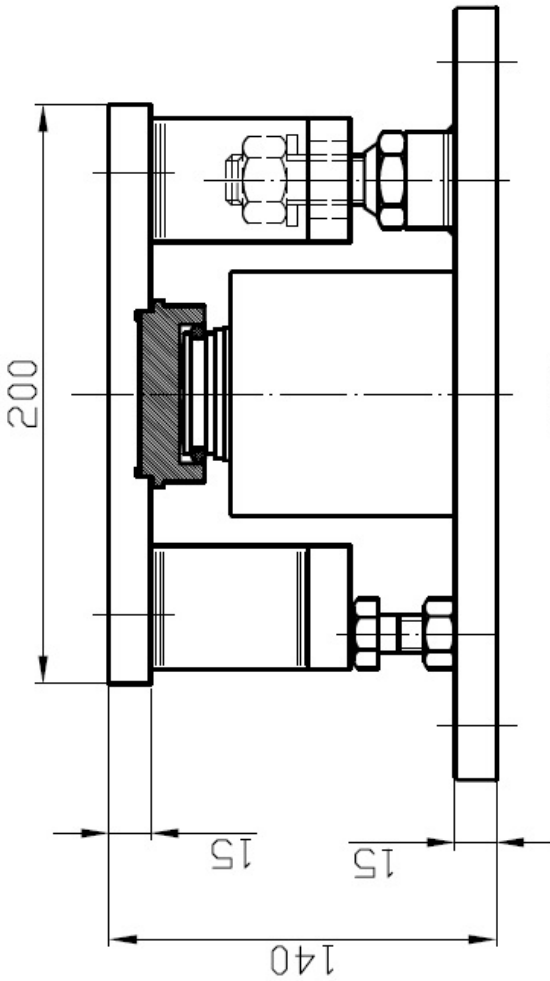
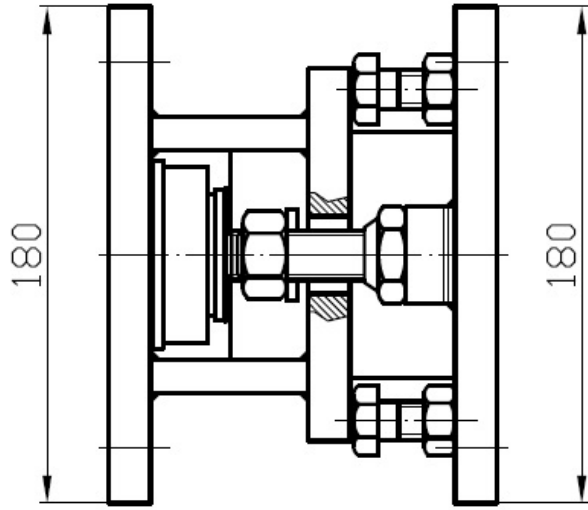
Side: 3

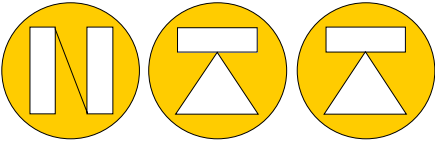


NORDIC TRANSDUCER

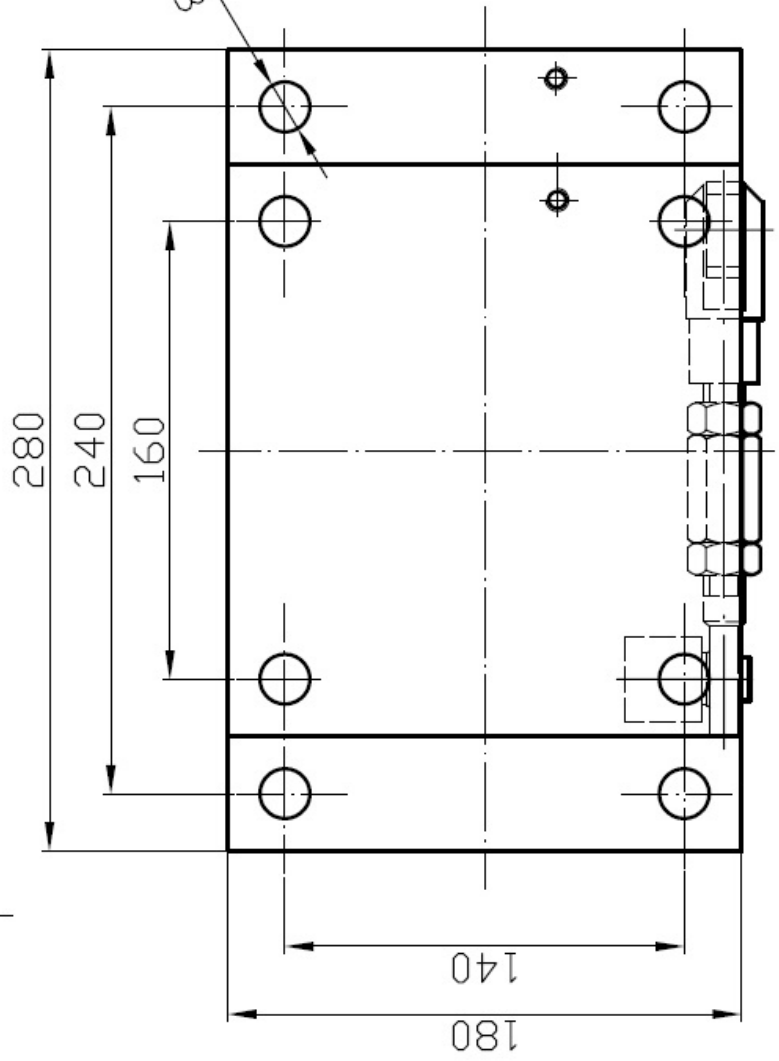
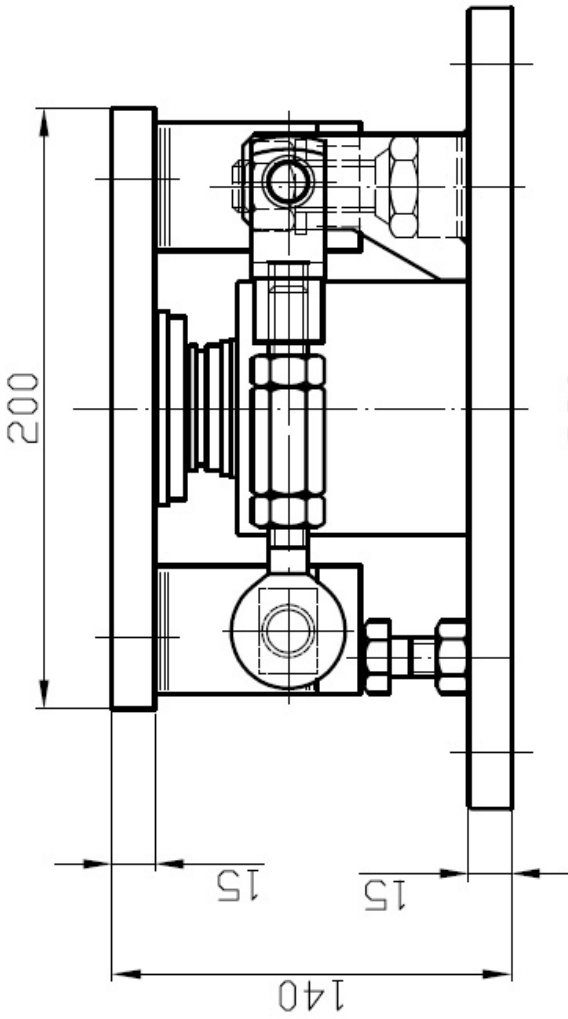
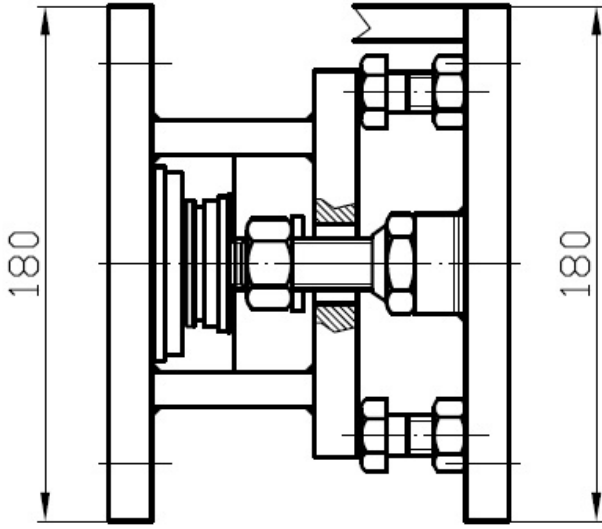


AC-2A/ANTIV. 10-40t.
 AC-2DP/ANTIV. 10-40t.
 AC-2DC/ANTIV. 10-40t.





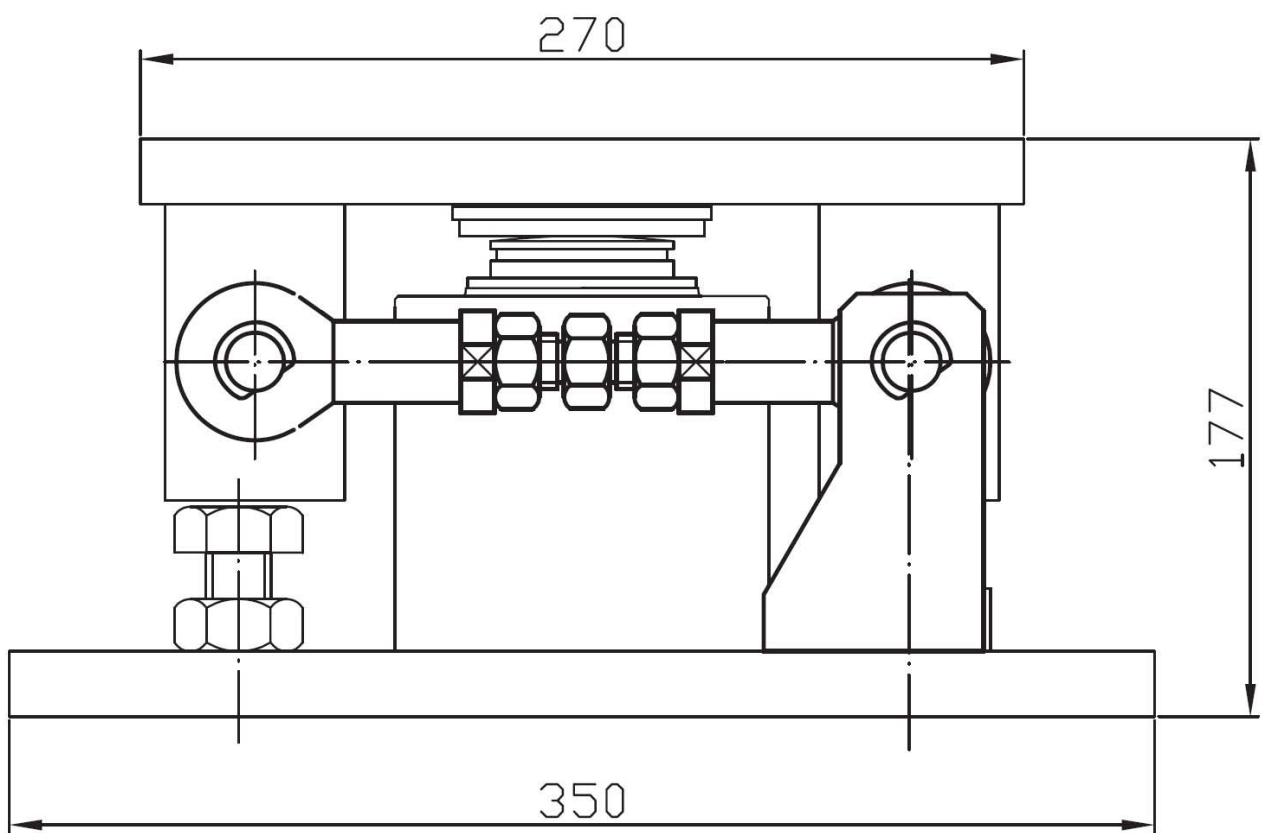
NORDIC TRANSDUCER

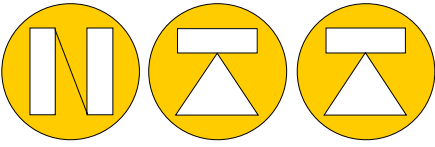


AC-2A/ANTIV. 10-40t.+ARM LIMITOR FOR LATERAL FORCES
 AC-2DP/ANTIV. 10-40t.+ARM LIMITOR FOR LATERAL FORCES
 AC-2DC/ANTIV. 10-40t.+ARM LIMITOR FOR LATERAL FORCES

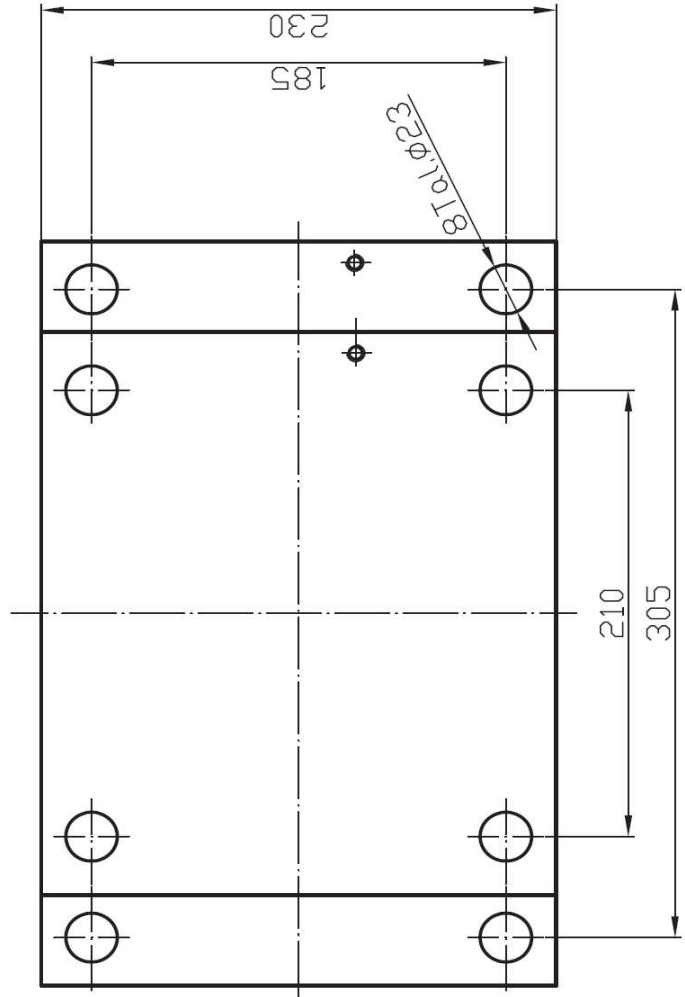
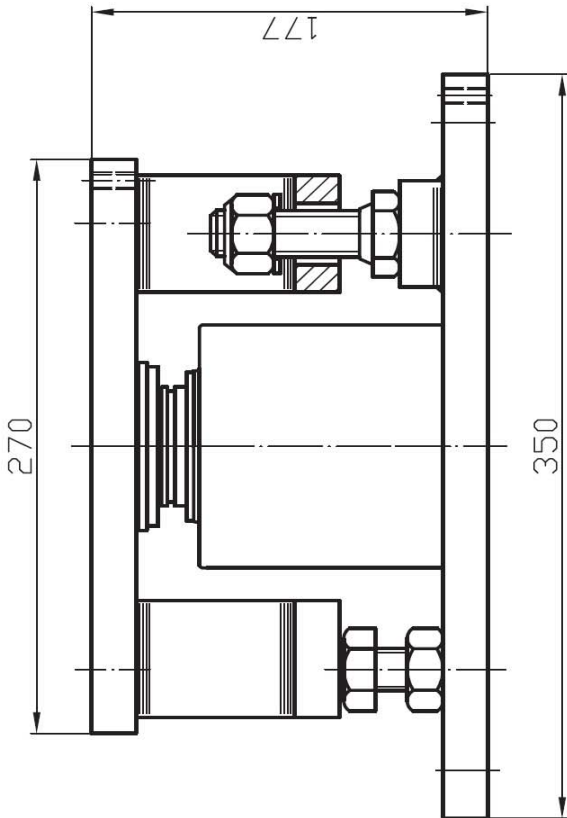
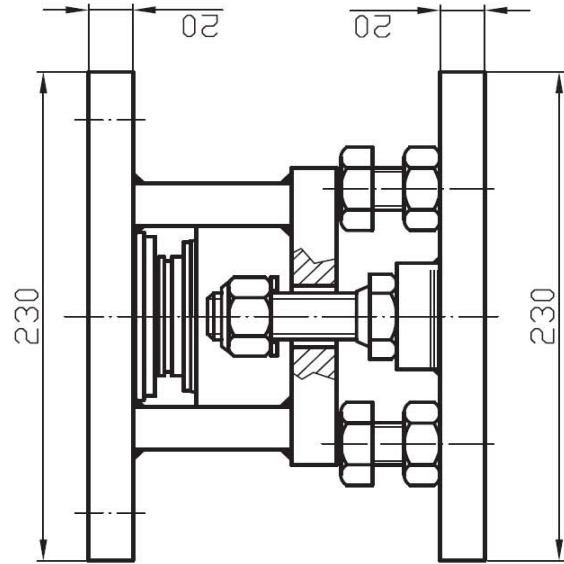


50-75-100t

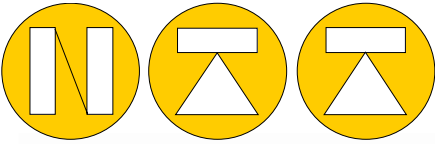




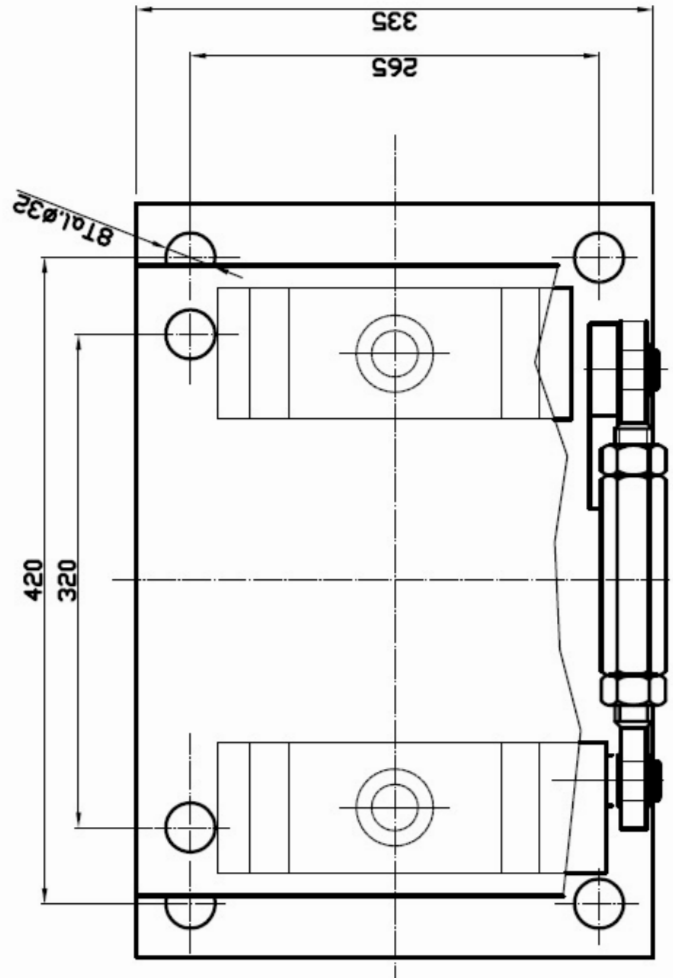
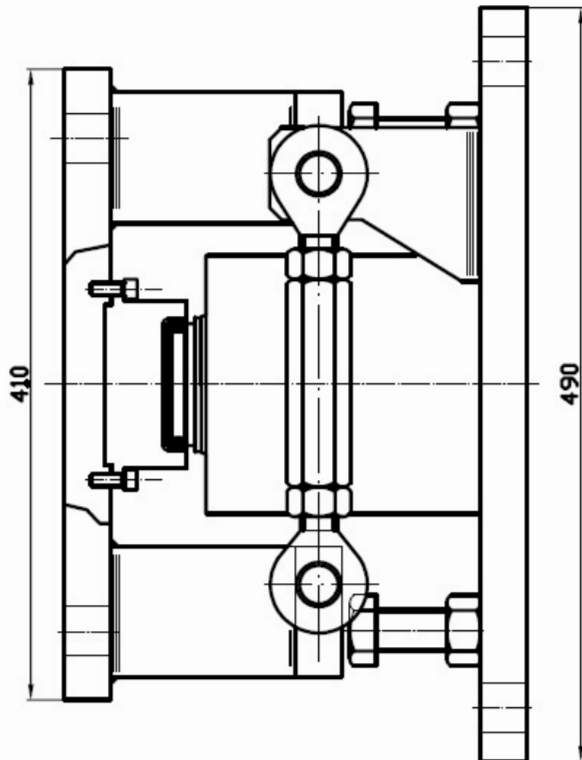
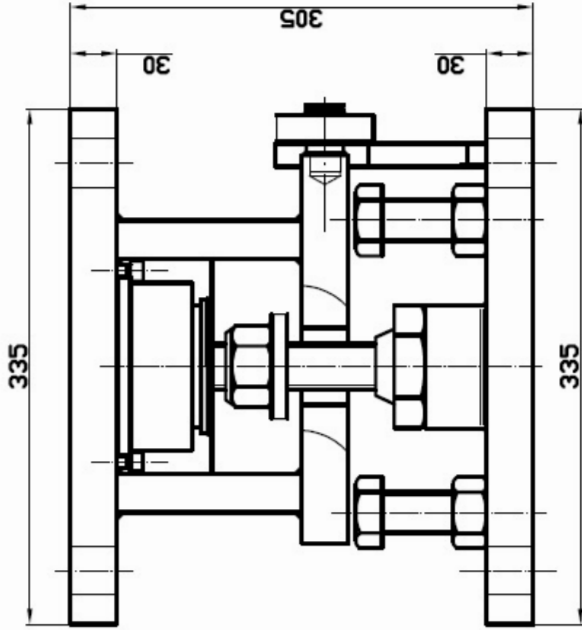
NORDIC TRANSDUCER



AC-2A/ANTIV. 50-75-100t
 AC-2DP/ANTIV. 50-75-100t
 AC-2DC/ANTIV. 50-75-100t



NORDIC TRANSDUCER



AC-2A/ANTIV. 200t.+ARM LIMITOR FOR LATERAL FORCES
 AC-2DP/ANTIV. 200t.+ARM LIMITOR FOR LATERAL FORCES
 AC-2DC/ANTIV. 200t.+ARM LIMITOR FOR LATERAL FORCES