



CBS-82 low profile load cell



NORDISK TRANSDUCER

IP68



LOW PROFILE COMPRESSION LOAD CELLS

CBS-82 with Load head



CBS-82 with bottom plate

Capacities from 250kg to 10ton at same size = Ø 82mm !

For perfect usage in:

- ° Platform scales
- ° Hopper / Silo weighing
- ° Other force measuring applications

The **CBS-82** is a very low profile hermetical sealed load cell made in stainless steel with IP68 protection grade.

Their compact size makes them ideally suited for applications where space also is limited.

Mounting plates and top load heads can be supplied as shown up to 10 ton, or a complete weighing unit **CBS-SM82** also as shown above (please look at separate information CBS-SM82)

NOMINAL LOAD	250kg, 500kg-1-2.5-5-7.5-10t	a) minimum load	0%
MINIMUM RANGE	20%	b) service load	120%
COMBINED ERROR	< +/- 0.030%	c) max. permissible load	150%
NONREPEATABILITY	< +/- 0.011%	d) breaking load	>300%
ZERO DRIFT 30 MIN	< +/- 0.030%	e) max. side load	50%
TEMPERATURE EFFECT 10°C		f) max. dynamic load	50%
on zero	< +/- 0.025 %	DISPLACEMENT N.LOAD	0.06mm
on span	< +/- 0.020 %	NOMINAL TEMP. RANGE	- 10/+40 °C
NOMINAL SENSITIVITY +/-0.1%	2mV/Volt	SERVICE TEMP. RANGE	-20/+70 °C
INPUT RESISTANCE	700 Ohm +/-3	PROTECTION CLASS	IP68
OUTPUT RESISTANCE	700 Ohm +/-3	WEIGHT	1.165 kg
ZERO BALANCE	+/- 1%	CELL MATERIAL	Stainless steel
SUPPLY VOLTAGE N.10V	2 - 15	CABLE LENGTH	5 meter

Volt

Cable: PVC 105°C Ø6.5mm with 4 tinned conductors Ø 0.35mm² and tinned shield
All specifications subject to change without notice

Nordisk Transducer Teknik

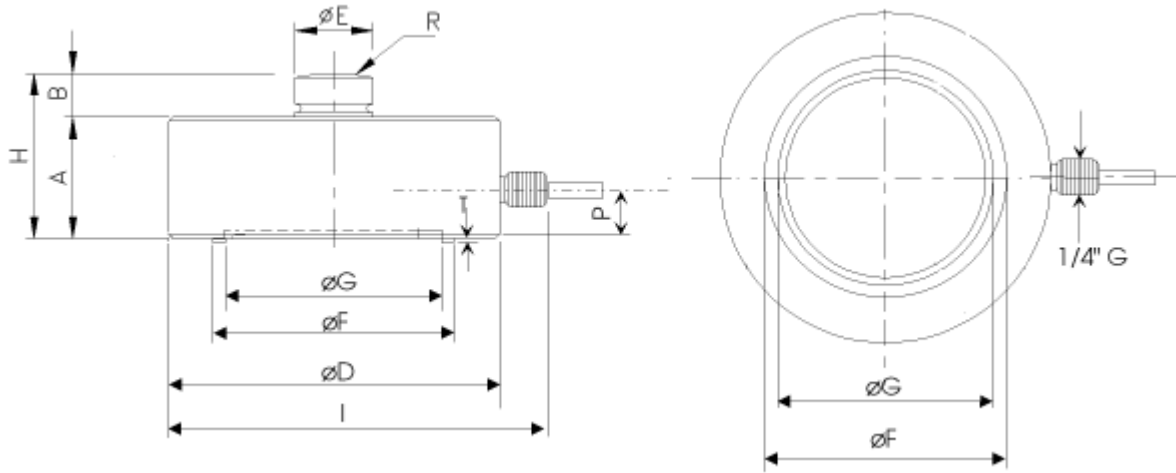


DIMENSIONS : CBS-82



NORDIC TRANSDUCER

DIMENSIONS CBS-82 LOAD CELL:

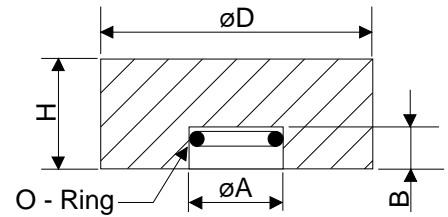


CODE	LOADS	A	B	øD	øE	øF	øG	H	I	P	R	T
CBS-82	*X	32	12	82	22	60	54	44	95	14	50	0,3

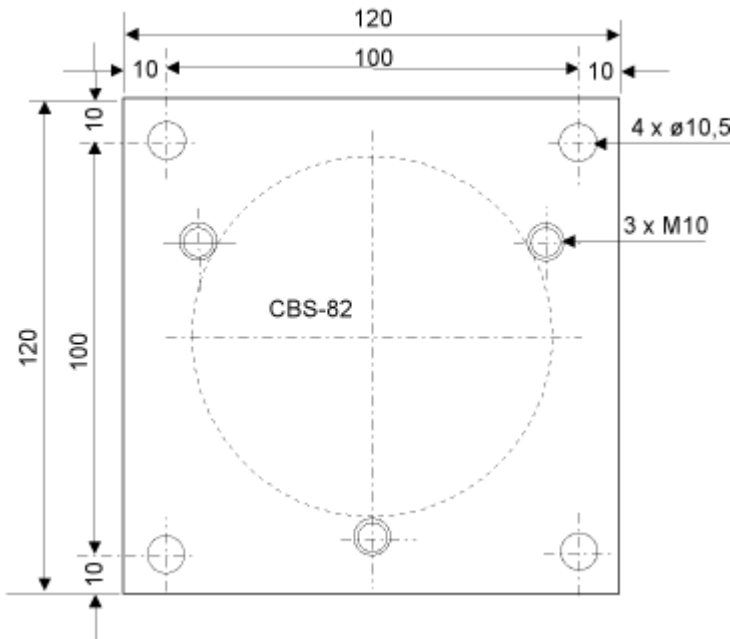
*X = SAME FOR ALL CAPACITIES FROM 250kg to 10t

A top load head can also be supplied for C2S -82 100kg to 10t:

CODE	LOADS	øD	H	øA	B
TIC22	250kg - 10t	57	24	23	9



CBS120-82 BASEPLATE



14.5mm stainless steel

LOADCELL STANDARD CABLE

INPUT+	RED
INPUT-	BLACK
OUTPUT+	WHITE
OUTPUT-	YELLOW
SHIELD	

The use of top Load Heads and mounting plates as shown are recommended for the elimination of the effects of side forces and for smaller non angular forces from "non level" legs and so !

For bigger side load will 2-4mm space between top load head and legs/mountings be recommended, or use CBS-SM82 where bigger forces are involved !

Please ask for further NTT informations on this !!



CBS-SM82 Silo Mount



Nordic Transducer

Als Odde, DK-9560 Hadsund Denmark

Ph.: +45 98581444, Fax.: +45 98581866

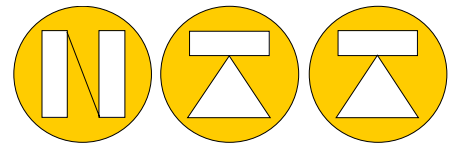
E-mail: ntt@ntt.dk WEB: www.ntt.dk



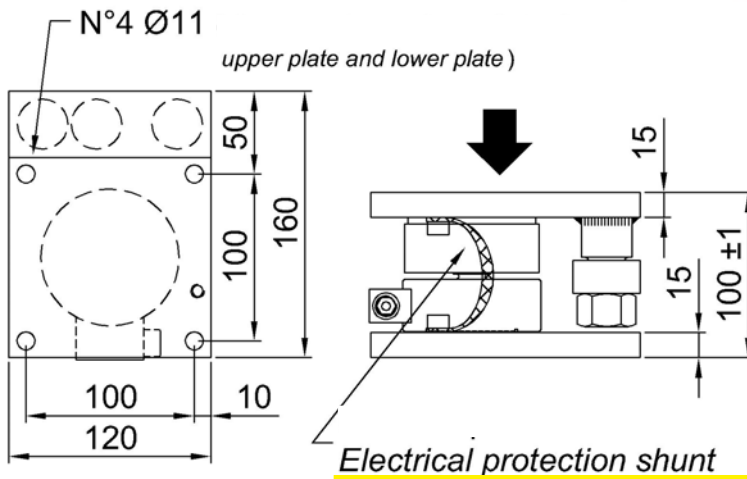
CBS-SM82 silo mount for 100kg to 10 ton C2S-82 & CBS-82

This **CBS-SM82** weighing unit is constructed throughout in (AISI 304) stainless steel, and design to facilitate the installation of weighing and batching systems, in silos, bins and platform scales where 100% control are wanted over mechanical connection to the load cells.

This weighing unit is equipped with **Automatic Load Alignment** and **Transverse Shift Compensation** system to ensure **Excellent Measurement Performance** even in case of settling, thermal expansion, positioning error and structural deformations. To function correct the mount must be fastened both into the floor and to the silo legs



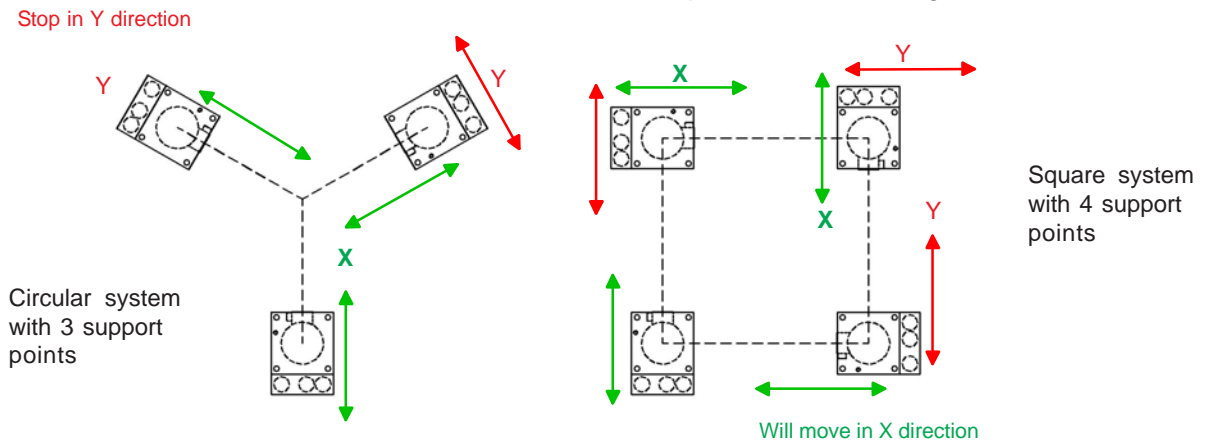
NORDIC TRANSDUCER



CBS-SM82 can be used both for C2S-82 & CBS-82 load cells

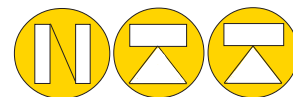
Same dimensions for all capacities from 250kg til 10t

Same measurements for all capacities from 100kg to 10t



Material: Stainless steel	AISI 304
Weight (with load cells)	8.0kg
Max. lateral shift (X axis)	+/- 10mm
Max. Inclination	+/- 5°
Anti-tipping system	yes
Retainer tie-rod	yes
Automatic load alignment	yes
Transverse shift compensation	yes

All specifications subject to change without notice



Nordic Transducer

Als Odde, DK-9560 Hadsund Denmark
Tel.: +45 98581444, Fax.: +45 98581866
E-mail: ntt@ntt.dk WEB: www.ntt.dk