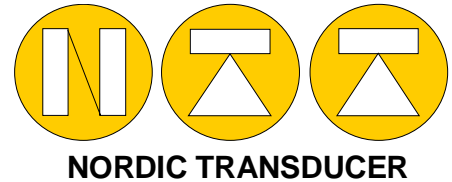


Double-Ended Shear Beam Load cell

Model: DCO-2IC



DCO-2IC load cell

Rated capacity: 3, 4, 5, 7.5 & 10ton
 Accuracy class: 0.020 % ref. = OIML R60, C3-C5
 Rated output: 2mV/V +/- 0,1%
 $Y = E_{max} / V_{min} = 1/15000$
 Excitation Voltage: 5 - 15V
 Input Resistance: 700 Ohm
 Output resistance: 700 Ohm
 Temperature limits: -10°C - +40°C
 Protection against humidity : IP67 (EN 60529)
 Material: Stainless Steel



OPTIONS:

Additional IP68 load cell version.

Atex version:

II 1GD Ex ia IIC T4...T6 Ga

II 1GD Ex ia IIIC T135°C Da

OIML R60 approved

per N. Test Certificate: E-09.09.C08

DCO-2IC with base unit.

Base can be supplied in both Zinc-plated Steel or Stainless Steel.

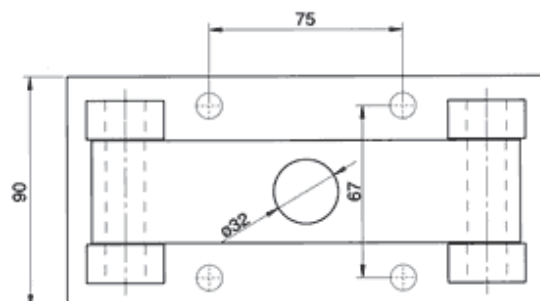
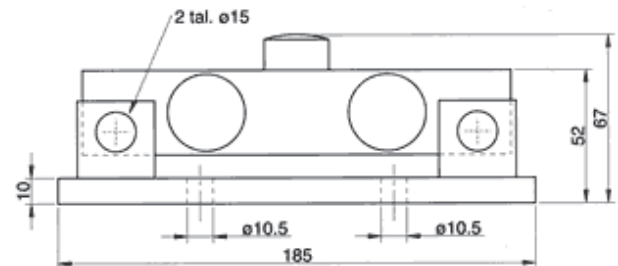
Cable connections:

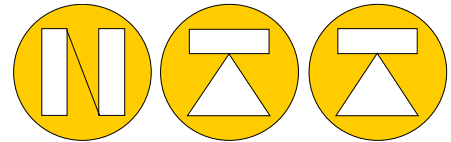
Exct.+ = Red
 Exct.- = Black
 Signal += Green
 Signal - = White

Sense option

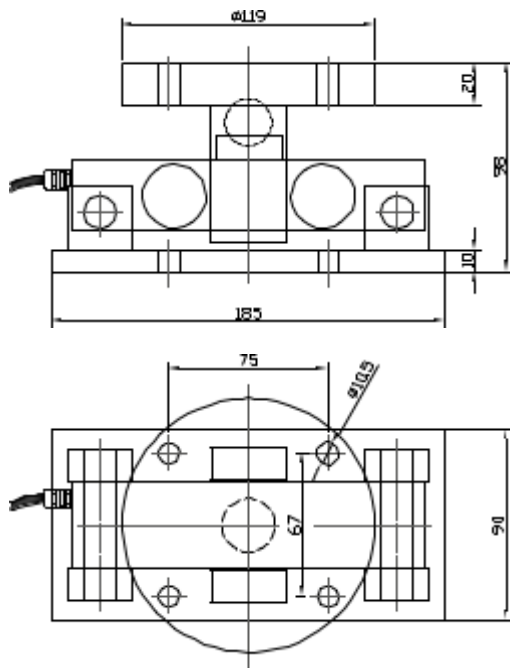
Sense + = Yellow
 Sense - = Blue

Complete Instrumental program made for these load cells with same very fine OIML R76 approvals for all of them, please tell us what you need and we will find the best solution for you.





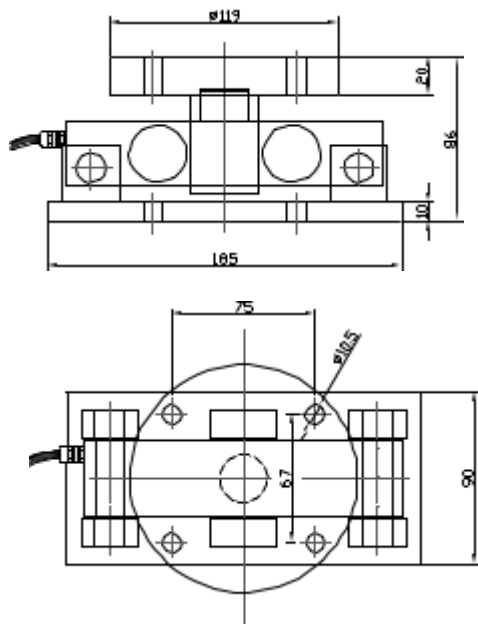
NORDIC TRANSDUCER



DCO-21C with base



DCO-21C with ANTIV-B tank weighing unit including ball support for larger movements typical for outdoor uses.



DCO-21C with ANTIV tank weighing unit