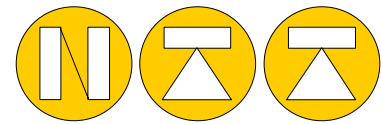
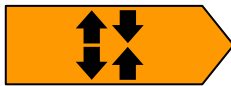


# Digital dynamometer Model: DNA



NORDIC TRANSDUCER

Data Sheet: DNA.527.R3 100kg, 200kg, 500kg, 1000kg, 2500 & 5000kg



Tension and Compression



Accuracy



SIT certificate on request



DNA for Tension



DNA for Compression

The DNA has been designed to make easier the measurement and the calibration of forces generated by presses, ropes or chains in industrial environments or directly on site.

The dynamometer consists of a strain gauge load cell with high reliability and precision and of a last generator microprocessor.

The weight indication is given by a 5 digits LCD display, 16mm height while a bar indication shows the percentage of measured load with respect to the dynamometer full scale.

Thanks to 1.9V internal battery, easily available on the market, the DNA reaches a guaranteed autonomy of a year without any recharge also thanks to its programmable AUTO POWER OFF function.

Please notice: **Positive indication at compression**

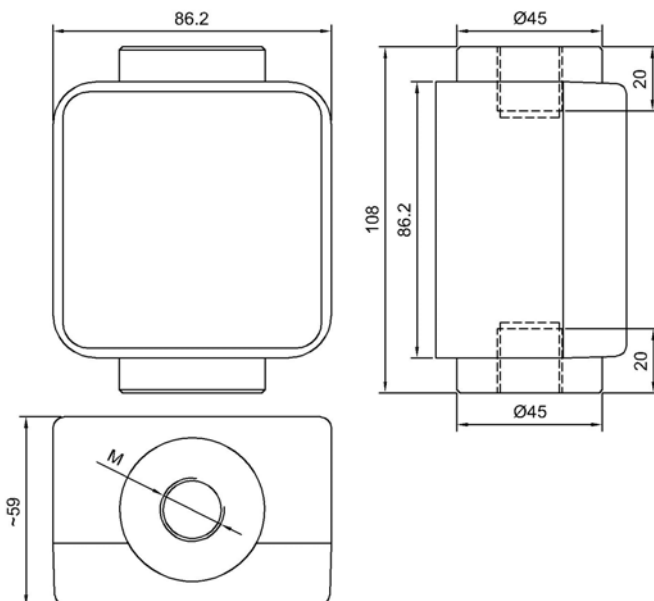
**Negative sign at tension !**

**At order if only tension is used then positive sign can be on.**

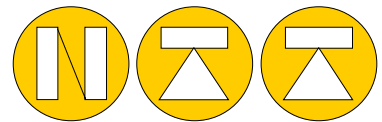
- High Accuracy:  $\leq \pm 0.05\%$  F.S.
- Reliable and rugged
- Low weight and compact dimensions
- 1 YEAR autonomy without recharge
- Selectable measurement units: kg, t, N, daN, kN.
- Positive or negative PEAK function
- RS232C serial output (ON REQUEST)

## Dimensions

[ mm ]

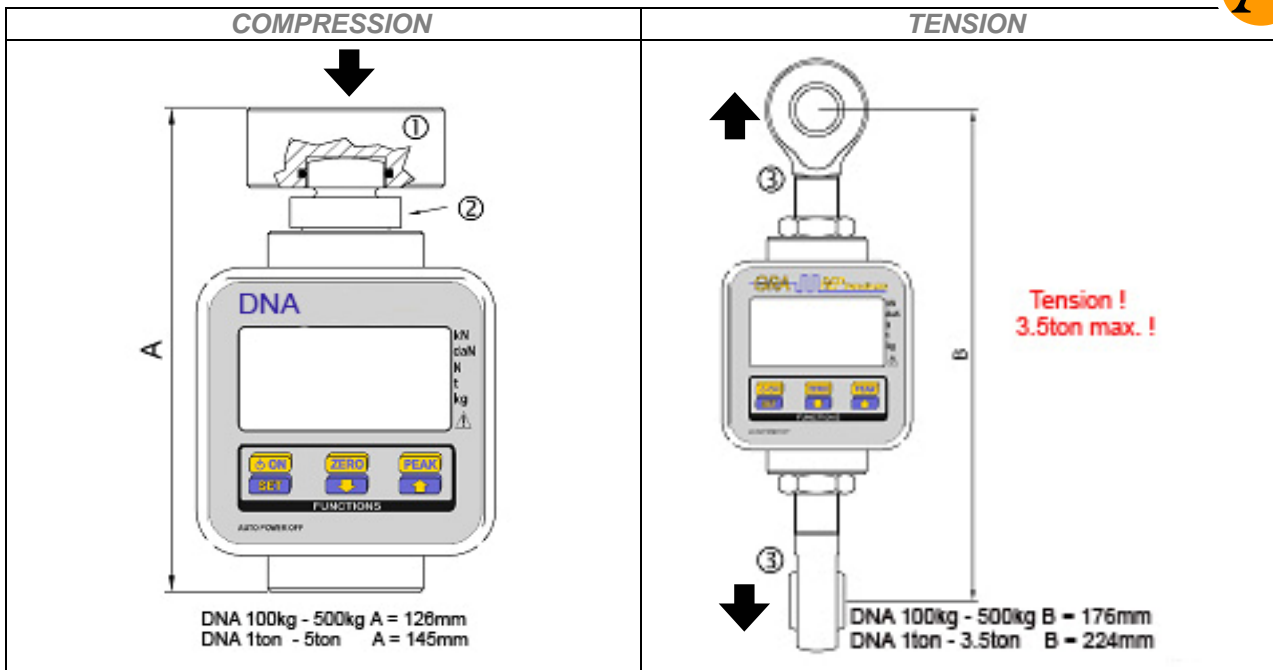


Load	M	Display (kg)	Resolution
100 kg	M12	100.00	0.01
200 kg	M12	200.00	0.01
500 kg	M12	500.00	0.05
1000 kg	M20	1000.0	0.1
2500 kg	M20	2500.0	0.2
5000 kg	M20	5000.0	0.5



**NORDIC TRANSDUCER**

**Applications**



**WARNING:**

Check that the force generated during the accessories mounting does not exceed the nominal load

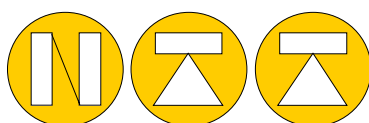


DNA:	CODE:	ACCESSORIES (optional):	
100kg - 500kg	CTIC13	①	Loading head.
	CTS18M12	②	Spherical loading head.
	PFE U 12	③	Rod end bearing.
1t - 5t	CTIC22	①	Loading head.
	CTS25M20	②	Spherical loading head.
	PFE U 20	③	Rod end bearing

**Technical Data**



NOMINAL LOAD	100, 200, 500, 1000kg 2.5, 5t
ACCURACY CLASS	≤ ±0.05% F.S.
READINGS PER SEC.	10
AUTONOMY	1 YEAR
ALKALINE BATTERIES	1 9V Alkaline battery
FUNCTIONS	ZERO, PEAK, FILTER
MECHANICAL LIMIT VALUES :	
a) service load	120%
b) max permissible load	150%
c) breaking load	>300%
e) max permissible dynamic load	50%
REFERENCE TEMPERATURE	+23°C
SERVICE TEMPERATURE	0 /+50 °C
WEIGHT	~ 1.5 kg
PROTECTION CLASS (EN 60529)	IP40
CASE MATERIAL	Aluminium



**NORDIC TRANSDUCER**

Als Odde DK-98560 Hadsund Denmark Tel. +45 98581444 Fax. +45 98581866

E-mail: [ntt@ntt.dk](mailto:ntt@ntt.dk) Internet: <http://www.ntt.dk>

*Distributor:*

*In order to improve the technical performances of the product, the company reserves the right to make any change without notice.*