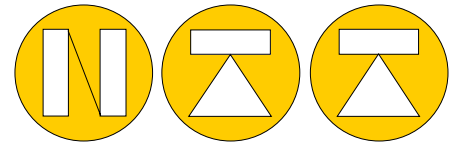


Bending Load Cell

Type FX-2 15kg1500kg



NORDIC TRANSDUCER

Delivered as CC non approved
or C3-C4 OIML R60 approved



Fully Welded IP68 (EN 60529)
Capacities: from 15kg to 1500kg for M12 bolts

Optional version:
ATEX version II 1GD Ex IIC T4..T6, II 1GD Ex IIIC T135C DA



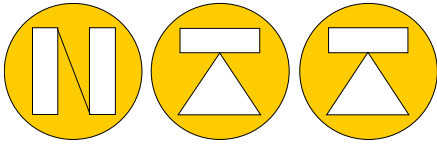
FX-2 SPECIFICATIONS

NOMINAL LOAD	15-25-30-50-75-100-150-200-250-300-500-750-1000-1500kg			
Produced according to:	OIML R60 Class C3 - C4			
Combined Error	< +/- 0.020%			
Non-Repeatability	< +/- 0.010%			
Zero Drift 30min.	< +/- 0.015%			
Vmin	1/15000			
TEMPERATURE EFFECT 10°C				
on zero	< +/- 0.010 %			
on span	< +/- 0.010 %			
Vmin	Emax /15000			
NOMINAL SENSITIVITY +/-0.1%	2mV/Volt	a) minimum load	0%	
INPUT RESISTANCE	350 Ohm +/-3 Ohm	b) service load	120%	
OUTPUT RESISTANCE	350 Ohm +/- 3 Ohm	c) max. permissible load	150%	
ZERO BALANCE	0.5%	d) breaking load	>300%	
SUPPLY VOLTAGE N.10V	5 - 15 Volt	e) max. side load	100%	
Wiring: Excitation+ Red Sense + Yellow Excitation- Black Sense - Blue Output+ Green Output- White Sense wires optional !	f) max. dynamic load		50%	
	DISPLACEMENT N.LOAD		0.3mm	
	TEMP. RANGE OIML R60		- 10/+40 °C	
	PROTECTION CLASS		IP68	
	CELL MATERIAL		Stainless Steel	
	CABLE Ø 4.5mm length		5 meter	

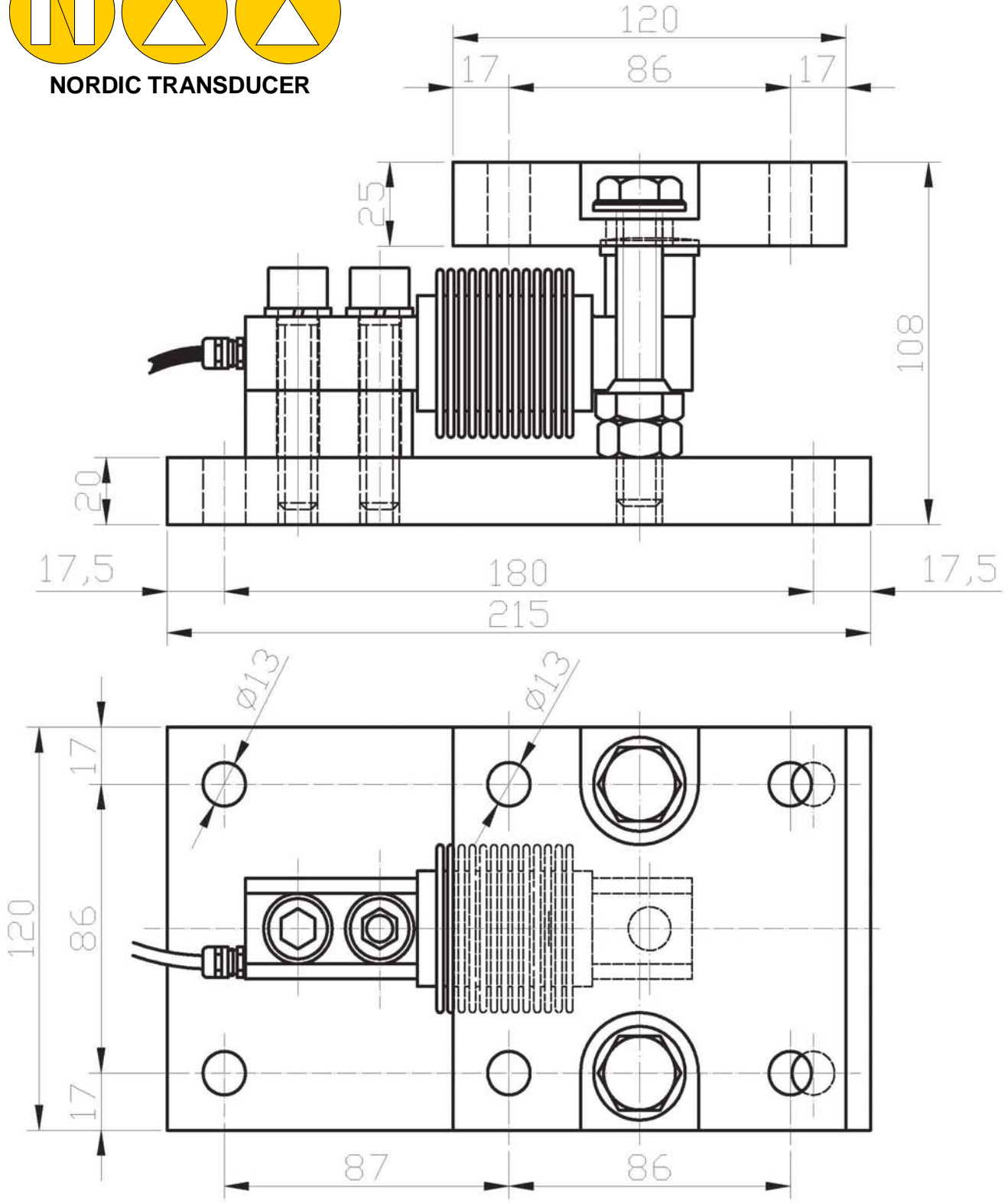
Nordic Transducer

Als Odde, DK-9560 Hadsund Denmark
Tel.: +45 98581444, Fax.: +45 98581866
E-mail: ntt@ntt.dk, WEB: www.ntt.dk

All specifications subject to change without notice



NORDIC TRANSDUCER



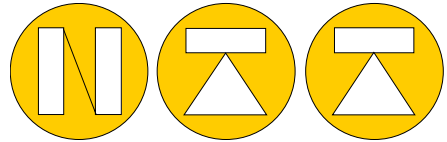
FX-2 Tank Mount Type: ANTIV B



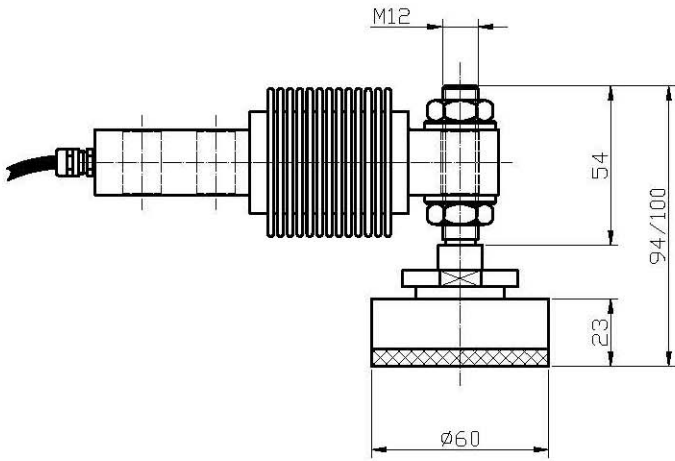
ntf@ ntt dk
 Model: FX - 2 I, Emax: 300 Kg
 C: 2.0mV/V ± 0.1% C3 -10°C/40°C
 Vmin = Emax / 15000 CE
 Serial: 30408/12.04 E--87.82.c05



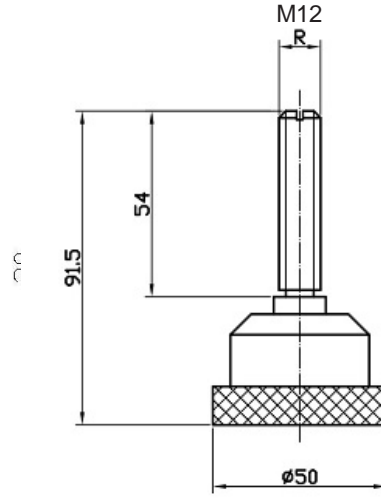
Load foot with adjustable height
 Pied autocentrante de hauteur réglable à bille



NORDIC TRANSDUCER



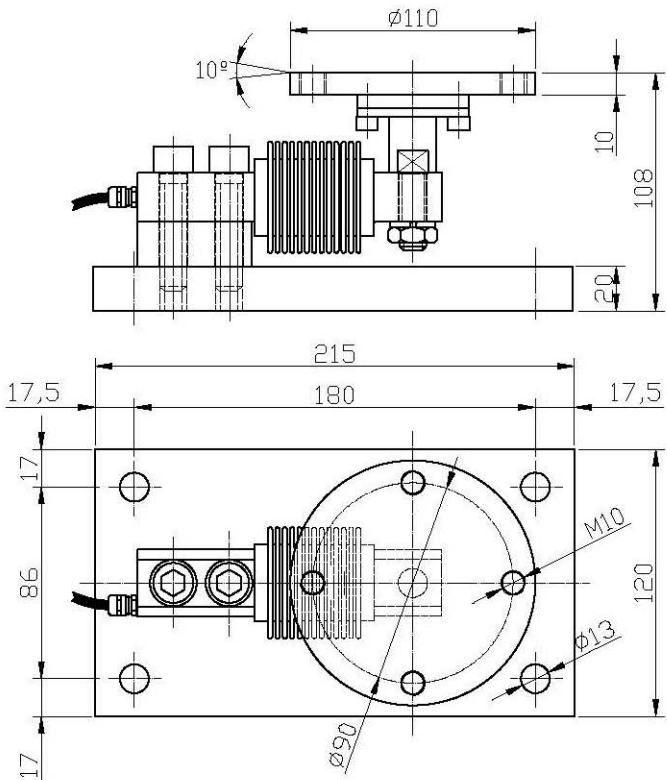
PATA/M12-INOX-60mm



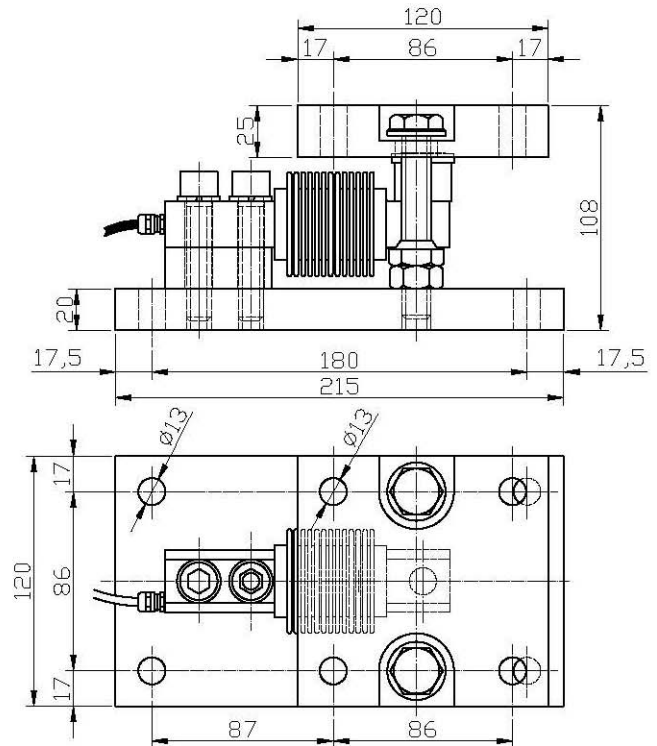
PATA/M12-BR-50mm



Tank weigh module type A
 Systeme Anti-renversement type A



Tank weigh module type B
 Systeme Anti-renversement type B

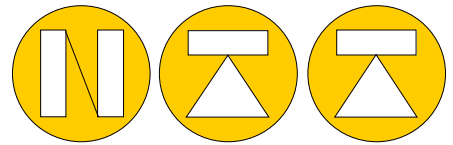


Nordic Transducer

Als Odde, DK-9560 Hadsund Denmark

Tel.: +45 98581444, Fax.: +45 98581866

E-mail: ntt@ntt.dk, WEB: www.ntt.dk



NORDIC TRANSDUCER

Dimensions in mm

