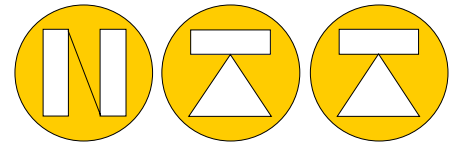


# Bending Load Cell

## Type FX-2 25kg ....1500kg



NORDIC TRANSDUCER

Delivered as CC non approved  
or C4 OIML R60 approved E-97.02.C09



**Fully Welded IP68 (EN 60529)**  
**Capacities: from 15kg to 1500kg for M12 bolts**

**Optional version:**  
**ATEX version II 1GD Ex ia IIC T4..T6,**  
**& II 1GD Ex ia IIIC T135C DA**



### FX-2 SPECIFICATIONS

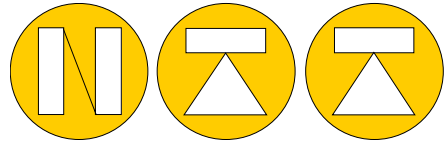
NOMINAL LOAD	15-25-30-50-75-100-150-200-250-300-500-750-1000-1500kg		
Produced according to:	OIML R60 Class C3 - C4		
Combined Error	< +/- 0.020%		
Non-Repeatability	< +/- 0.010%		
Zero Drift 30min.	< +/- 0.015%		
Vmin	1/15000		
TEMPERATURE EFFECT 10°C			
on zero	< +/- 0.010 %		
on span	< +/- 0.010 %		
<b>Vmin</b>	<b>Emax /15000</b>		
NOMINAL SENSITIVITY +/-0.1%	2mV/Volt	a) minimum load	0%
INPUT RESISTANCE	350 Ohm +/-3 Ohm	b) service load	120%
OUTPUT RESISTANCE	350 Ohm +/- 3 Ohm	c) max. permissible load	150%
ZERO BALANCE	0.5%	d) breaking load	>300%
SUPPLY VOLTAGE N.10V	5 - 15 Volt	e) max. side load	100%
<b>Wiring:</b> Excitation+      Red Sense +          Yellow Excitation-      Black Sense -          Blue Output+          Green Output-          White  <i>Sense wires optional !</i>		f) max. dynamic load	50%
		DISPLACEMENT N.LOAD	0.3mm
		TEMP. RANGE OIML R60	- 10/+40 °C
		PROTECTION CLASS	IP68
		CELL MATERIAL	Stainless Steel
		CABLE Ø 4.5mm length	5 meter

## Nordic Transducer

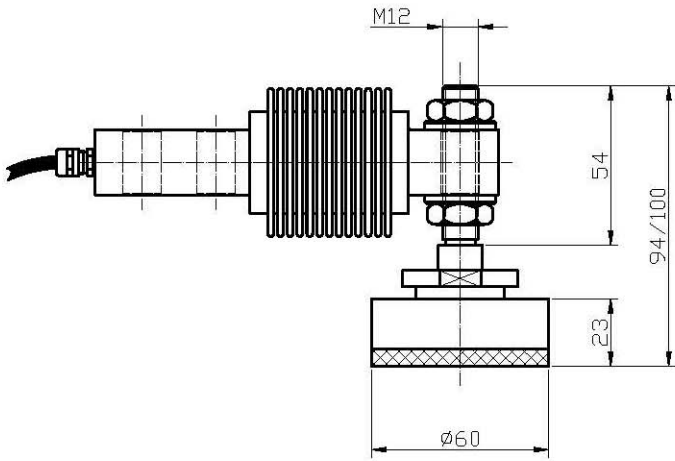
Als Odde, DK-9560 Hadsund Denmark  
Tel.: +45 98581444, Fax.: +45 98581866  
E-mail: [ntt@ntt.dk](mailto:ntt@ntt.dk), WEB: [www.ntt.dk](http://www.ntt.dk)

All specifications subject to change without notice

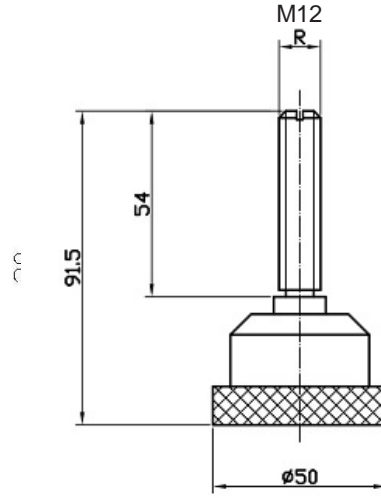
Load foot with adjustable height  
 Pied autocentrante de hauteur réglable à bille



**NORDIC TRANSDUCER**



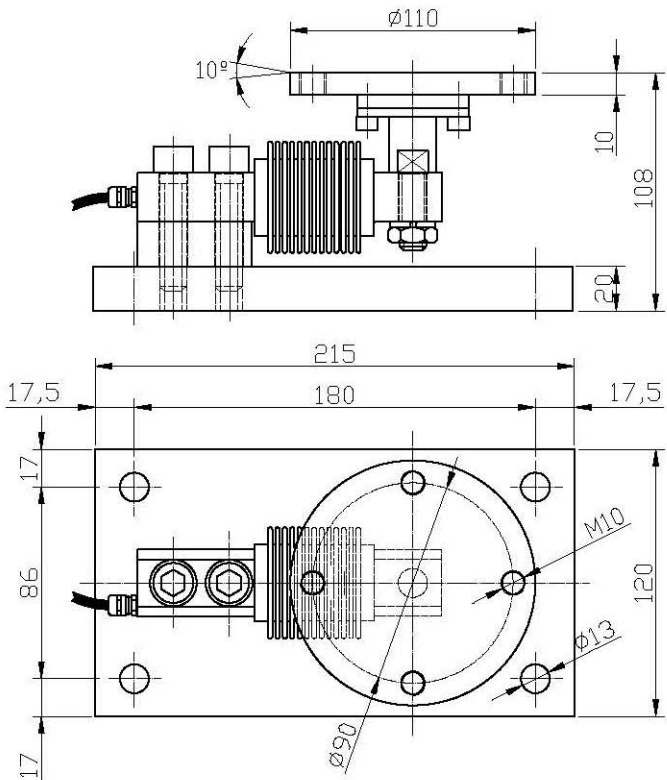
PATA/M12-INOX-60mm



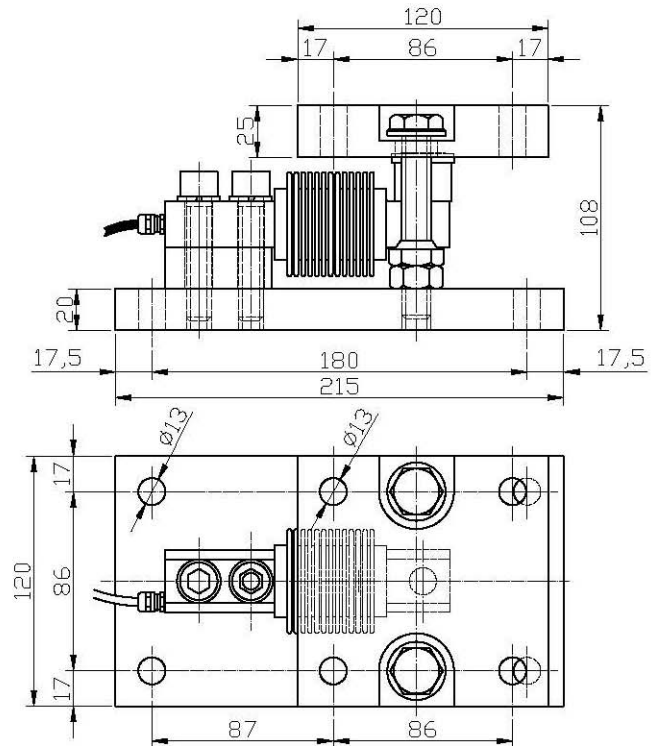
PATA/M12-BR-50mm



Tank weigh module type A  
 Systeme Anti-renversement type A



Tank weigh module type B  
 Systeme Anti-renversement type B

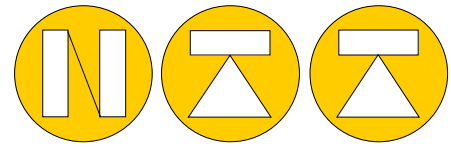


**Nordic Transducer**

Als Odde, DK-9560 Hadsund Denmark

Tel.: +45 98581444, Fax.: +45 98581866

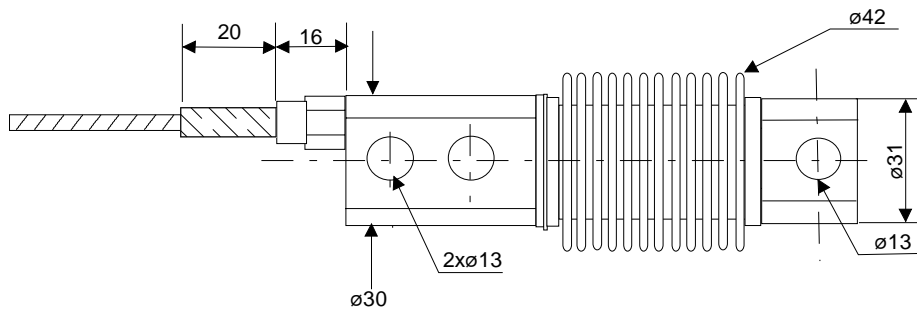
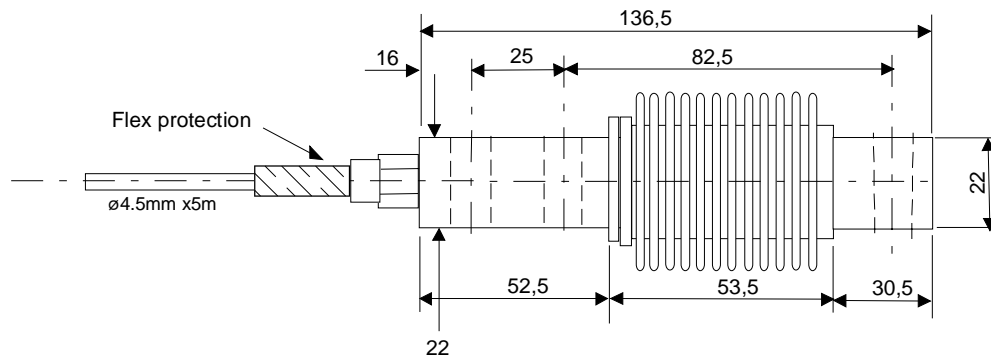
E-mail: [ntt@ntt.dk](mailto:ntt@ntt.dk), WEB: [www.ntt.dk](http://www.ntt.dk)



**NORDIC TRANSDUCER**

Dimensions in mm

FX2-C4-IP68 10kg ....1500kg

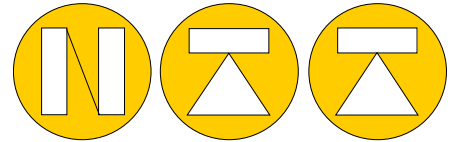


## Nordic Transducer

Als Odde, DK-9560 Hadsund Denmark

Tel.: +45 98581444, Fax.: +45 98581866

E-mail: [ntt@ntt.dk](mailto:ntt@ntt.dk), WEB: [www.ntt.dk](http://www.ntt.dk)



NORDIC TRANSDUCER

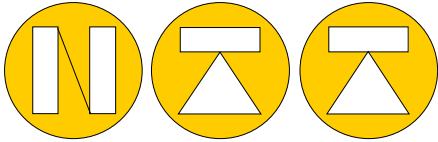
# Type FX-2 300kg ...1500kg

SILO MOUNT TYPE A

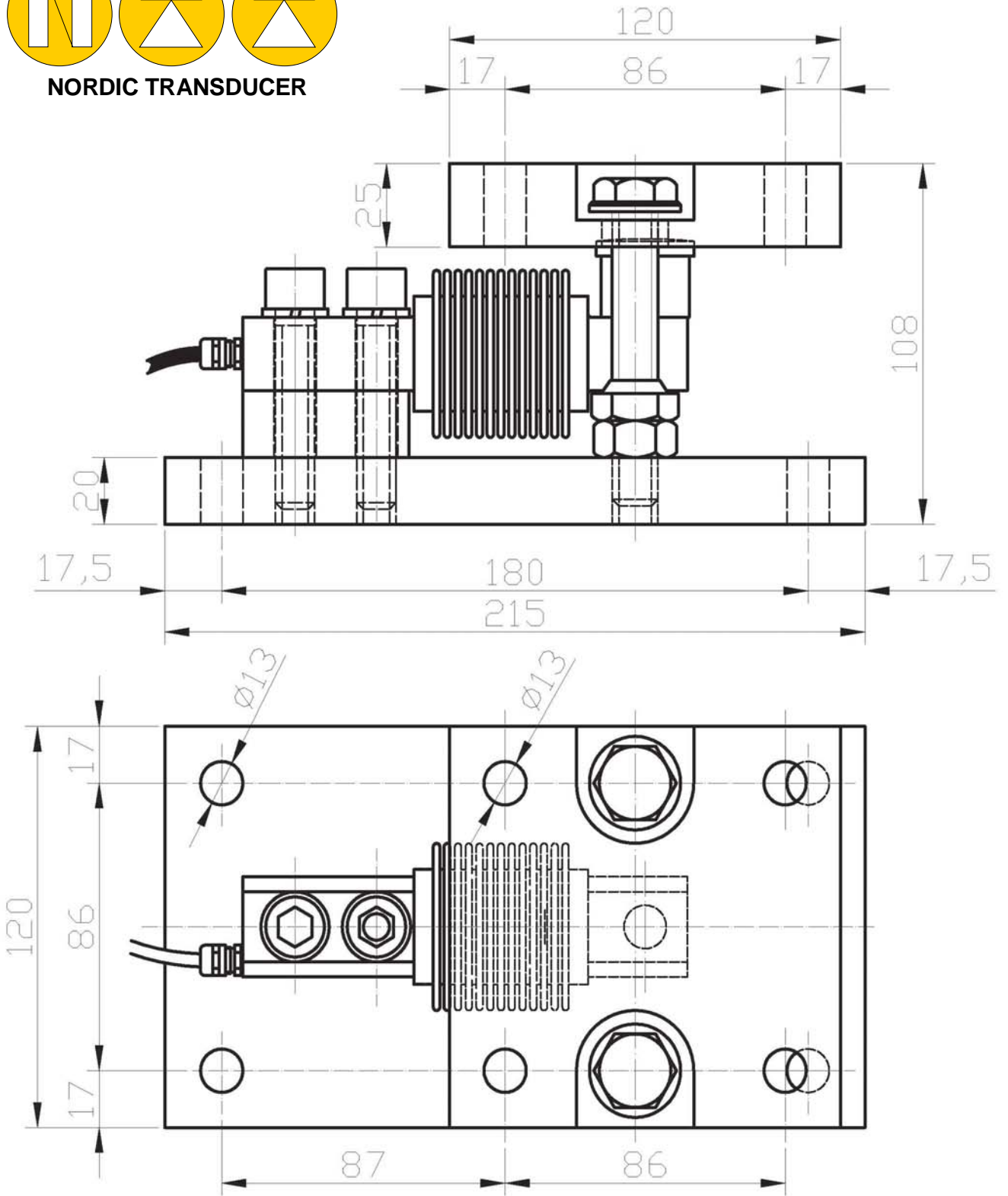


SILO MOUNT TYPE B





NORDIC TRANSDUCER



FX-2 Tank Mount Type: ANTIV B

