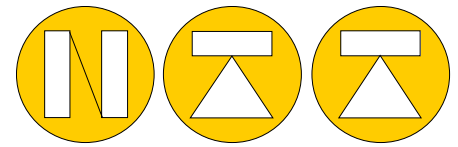




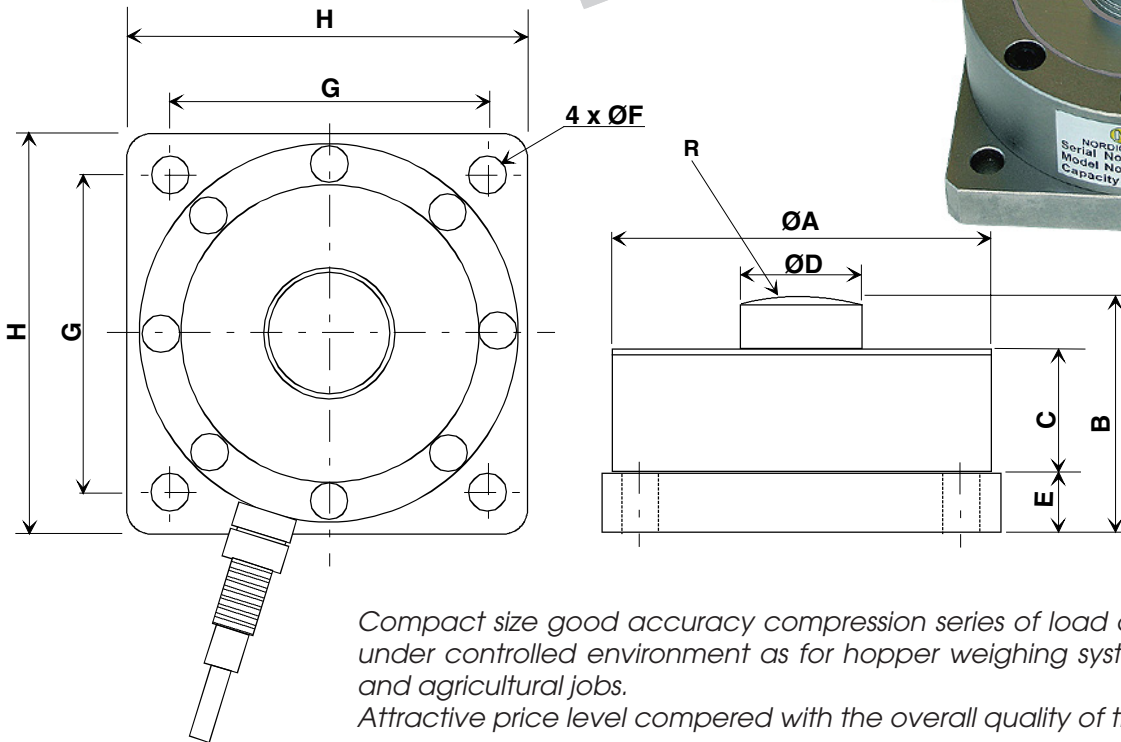
Compression Load cells

TYPE: GY-2 2.5ton - 20ton



NORDIC TRANSDUCER

Dimensions in mm



LOW COST!

Compact size good accuracy compression series of load cells for usage under controlled environment as for hopper weighing system in industry and agricultural jobs.
Attractive price level compared with the overall quality of the load cells.

Cable color code

- Red + Excitation
- Green + signal
- Black - Excitation
- White - signal

Capacity ton	ØA	ØD	B	C	E	ØF	G	H	R
2.5 & 5 ton	105	32	58	32	15	9	84	106	80
10 ton	116	35	64	37	18	11	100	122	91.3
20 ton	122	38	70	42	20	13	106	126	105.6

GY-2 SPECIFICATIONS

NOMINAL LOAD	2.5t ... 20ton	a) minimum load	0%
MINIMUM RANGE	30%	b) service load	100%
COMBINED ERROR	< +/- 0.04%	c) max. permissible load	120%
NON REPEATABILITY	< +/- 0.02%	d) breaking load	>300%
ZERO DRIFT 20 MIN	< +/- 0.03%	e) max. side load	80%
TEMPERATUR EFFECT 10°C			
on zero	< +/- 0.03 %	PROTECTION CLASS	IP65
on span	< +/- 0.02 %	NOMINAL TEMP. RANGE	- 10/+40 °C
NOMINAL SENSITIVITY +/-0.025	2mV/Volt	SERVICE TEMP. RANGE	-20/+65 °C
INPUT RESISTANCE	765 Ohm	CELL MATERIAL	Tool steel
OUTPUT RESISTANCE	700 Ohm	FINISH	Nickel Plated
ZERO BALANCE	1.0%	CABLE	Ø6 x 10 meter
SUPPLY VOLTAGE DC/AC	5V - 20 Volt		

All specifications subject to change without notice

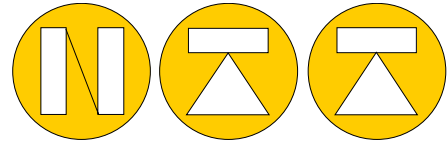
Nordic Transducer Als Oddevej 85 DK-9560 Hadsund Danmark
Ph. +45 98 58 14 44 fax. +45 98 58 18 66 e-mail: ntt@ntt.dk WEB: www.ntt.dk



Compression Load cells

TYPE: GY-2 2.5ton - 20ton

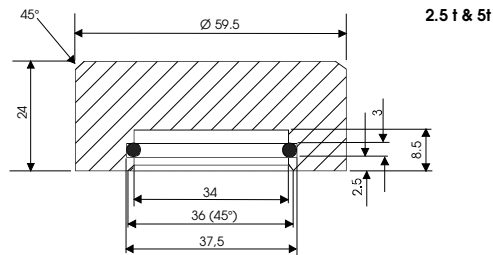
Load Heads



NORDIC TRANSDUCER

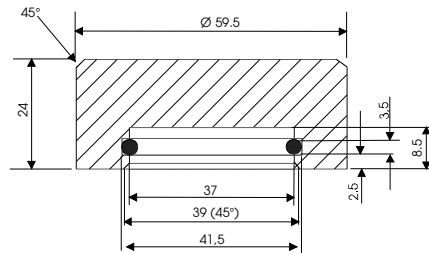


LH-5
Total height = 75mm



2.5 t & 5t

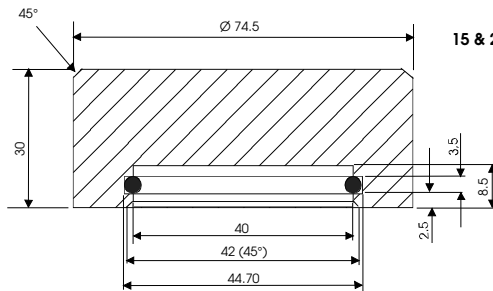
LH-10
Total height = 80mm



10t

O ring NBR 70
41.58 - 34.52 Ø3.53

LH-20
Total height = 92mm



15 & 20t

O ring NBR 70
44.75 - 37.69 Ø3.53



We do also supply the most modern instruments of to day, just ask !

Nordic Transducer Als Oddevej 85 DK-9560 Hadsund Danmark
Ph. +45 98 58 14 44 fax. +45 98 58 18 66 e-mail: ntt@ntt.dk WEB: www.ntt.dk