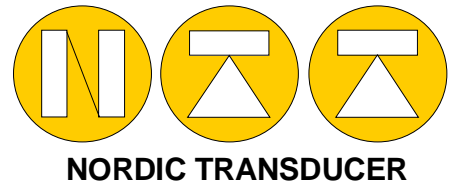


PE-1 Single point Load Cell. Low capacity



NOW ALSO FOR TENSION USE

The PE-1 is a single point load cell designed for direct mounting of a small weighing platform.

New type bracket can also be supplied for tension use made with preparation for mounting a overload stop is also made ready.

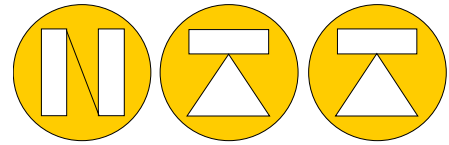
Custom made mounting holes can be supplied even at relative small order sizes.

SPECIFICATIONS PE-1:

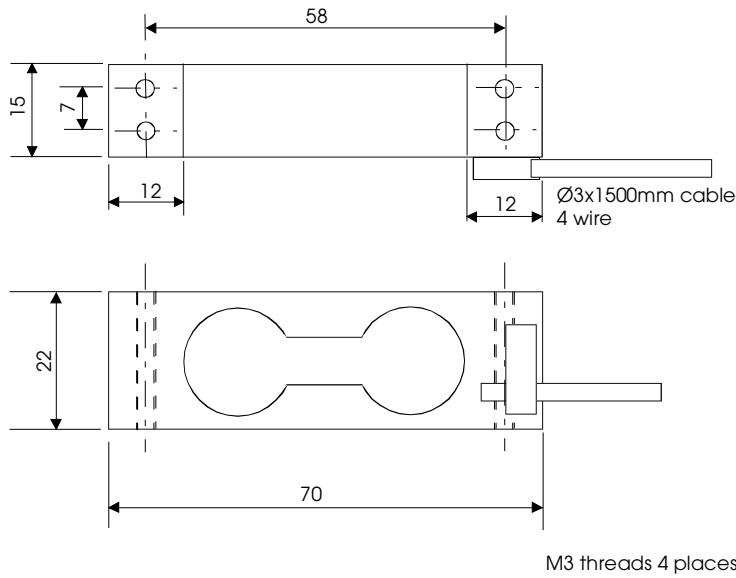
| | | | |
|---|------------------------|-------------------------|---------------------|
| NOMINAL LOAD in kg | 0.5, 1, 2, 3 kg | | |
| Combined Error | < +/- 0.035% F.S. | | |
| Non Linearity | < +/- 0.020% F.S. | | |
| Hysteresis | < +/- 0.020% F.S. | | |
| Non Repeatability | < +/- 0.020% F.S. | | |
| Creep Error (30 Minutes) | < +/- 0.030% F.S. | | |
| Temp. effect on zero | < +/- 0.025% F.S./10°C | | |
| Temp. effect on sensitivity | < +/- 0.025% F.S./10°C | | |
| NOMINAL SENSITIVITY | 1mV/Volt +/-1% | | |
| INPUT RESISTANCE | 410 Ohm +/-10 | | |
| OUTPUT RESISTANCE | 350 Ohm +/-3 | DISPLACEMENT N.LOAD | < 0.4mm |
| SUPPLY VOLTAGE N.10V | 2 - 15 Volt | PLATFORM SIZE 0.5kg | 150x150mm |
| ZERO BALANCE | +/-2% F.S. | PLATFORM SIZE 1kg - 3kg | 200x200mm |
| MECHANICAL LIMIT VALUES RELATED TO NOMINAL LOAD | | NOMINAL TEMP. RANGE | -10/+40 °C |
| | | STORAGE TEMP. RANGE | -10/+60 °C |
| a) minimum dead load | 0% | PROTECTION CLASS | IP60 |
| b) service load | 100% | CELL MATERIAL Aluminium | Anodized |
| c) max. permissible load | 150% | CABLE LENGTH | 0.5kg 1.5m/1-3kg 2m |
| d) breaking load | >300% | FIXING SCREWS | |
| e) max. side load | 100% | Load cell | M3 |
| f) max. dynamic load | 50% | Tension threads | M5 |

All specifications subject to change without notice

Dimensions in mm for: **PE-1 0.5kg to 3kg**



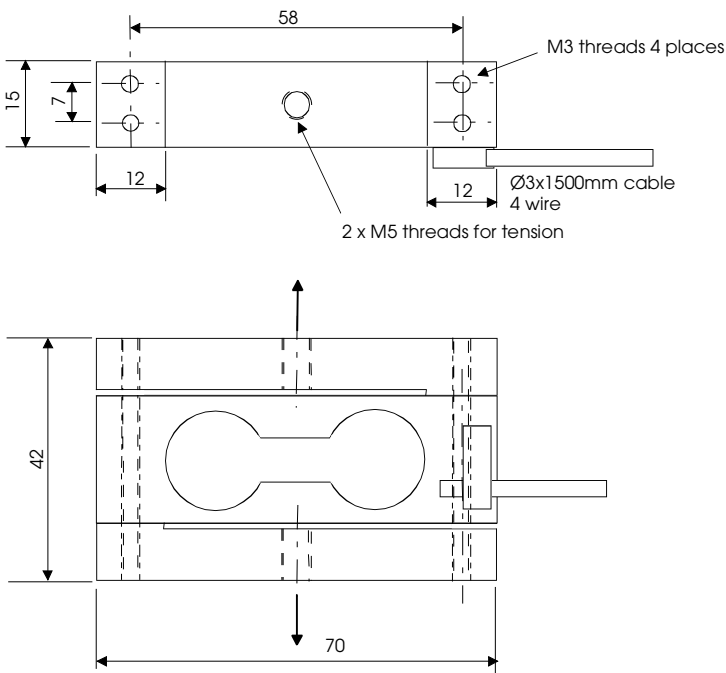
NORDIC TRANSDUCER



Wiring:

- Red: +Excitation
- Black: - Excitation
- Green: + Signal
- White: - Signal

TENSION KIT FOR PE-1



Supplied with 2 threaded holes on each side, which you can use for mounting your own overload stop.



Shown with 2 Rod end bearings which is a option to the tension kit.