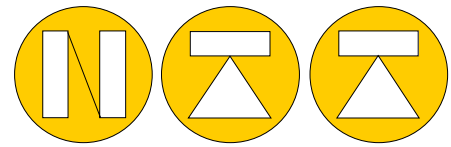
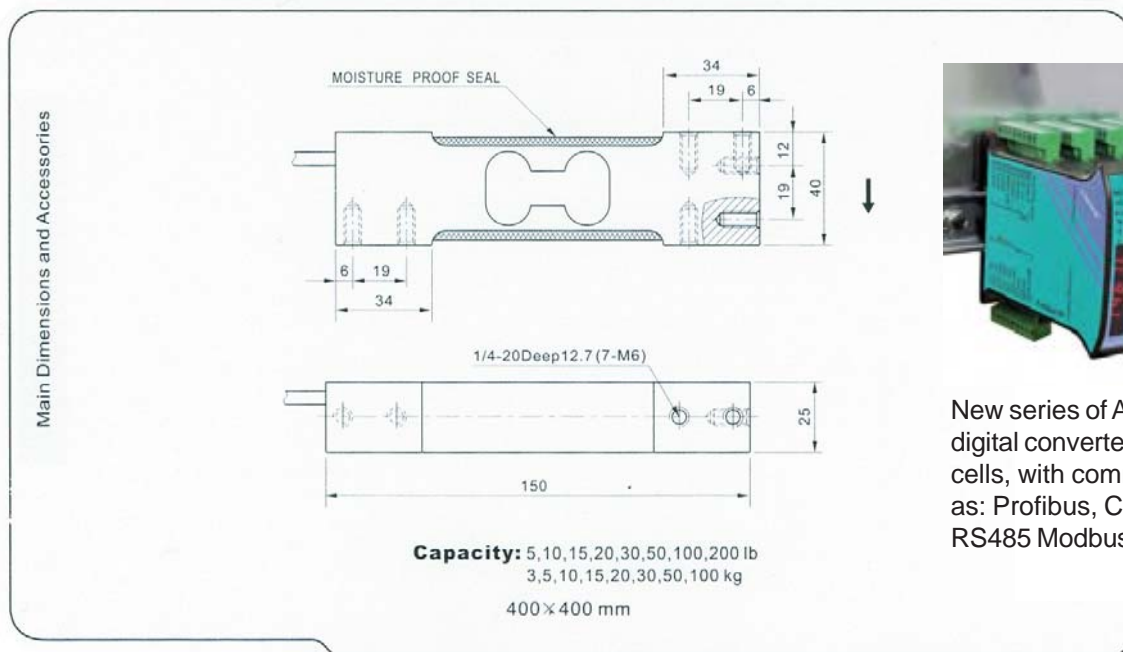


PE-2 Single point 3kg - 100kg capacity



NORDIC TRANSDUCER



SPECIFICATIONS PE-2:

The PE-1 is a single point load cell designed for direct mounting of a small weighing platform.

NOMINAL LOAD in kg	3, 5, 10, 20, 30, 50, 100 kg		
Combined Error	< +/- 0.035% F.S.		
Non Linearity	< +/- 0.020% F.S.		
Hysteresis	< +/- 0.020% F.S.		
Non Repeatability	< +/- 0.010% F.S.		
Creep Error (30 Minutes)	< +/- 0.020% F.S.		
Temp. effect on zero	< +/- 0.020% F.S./10°C		
Temp. effect on sensitivity	< +/- 0.020% F.S./10°C		
NOMINAL SENSITIVITY	2mV/Volt +/-10%		
INPUT RESISTANCE	410 Ohm +/-10		
OUTPUT RESISTANCE	350 Ohm +/-3	DISPLACEMENT N.LOAD	< 0.4mm
SUPPLY VOLTAGE N.10V	2 - 15 Volt	PLATFORM SIZE 3-5kg	300x300mm
ZERO BALANCE	+/-2% F.S.	PLATFORM SIZE 10 - 100kg	400x400mm
MECHANICAL LIMIT VALUES RELATED TO NOMINAL LOAD	NOMINAL TEMP. RANGE		-10/+40 °C
	STORAGE TEMP. RANGE		-10/+60 °C
	PROTECTION CLASS		IP60
	CELL MATERIAL Aluminium		Anodized
	CABLE LENGTH		3m
	FIXING SCREWS		
	Load cell		M6
a) minimum dead load	0%		
b) service load	100%		
c) max. permissible load	150%		
d) breaking load	>300%		
e) max. side load	100%		
f) max. dynamic load	50%		

All specifications subject to change without notice