



Manufactured according to OIML R60 standards

Capacity from 6 kg to 50 kg



- AISI 420 STAINLESS STEEL
- COMBINED ERROR $\leq \pm 0.02\%$
- PROTECTION CLASS IP67

CAPACITY	kg	IECEx	Ex	EAC	EAC	Ex	PLATFORM (mm)	NET WEIGHT (kg)	CODE
6		•	•	•			350 x 350	0.4	PRC6
15		•	•	•			350 x 350	0.4	PRC15
30		•	•	•			350 x 350	0.4	PRC30
50		•	•	•			350 x 350	0.4	PRC50

ON REQUEST

CERTIFICATIONS

EAC Complies with the Eurasian Custom Union standards

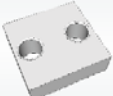
CERTIFICATIONS ON REQUEST

Ex ATEX II 1GD (zone 0-1-2-20-21-22)

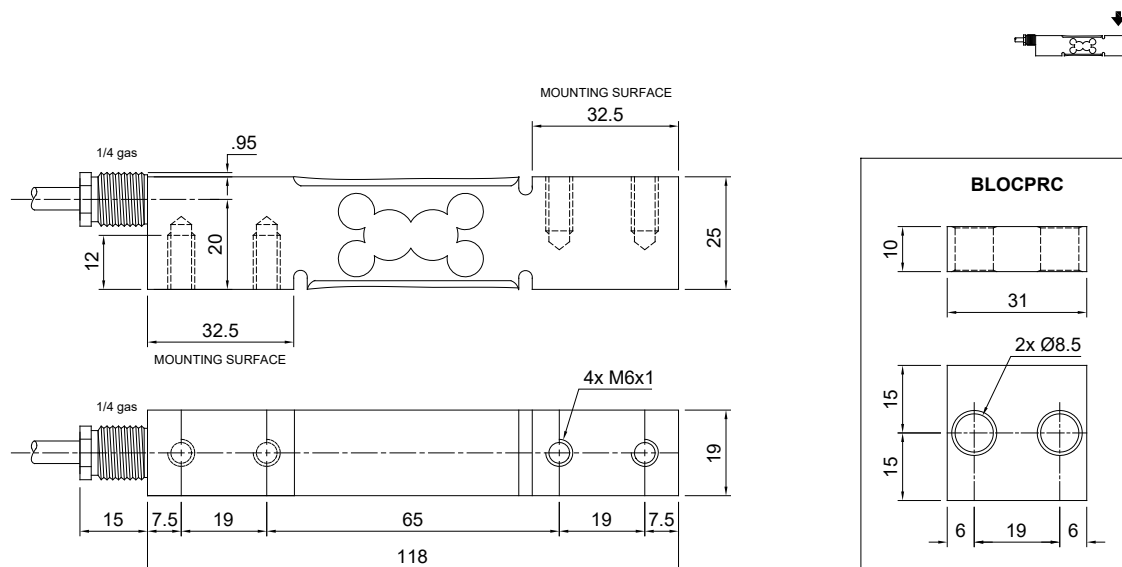
IECEx IECEx (zone 0-1-2-20-21-22)

EAC Ex Complies with the Eurasian Custom Union standards for use in potentially explosive atmospheres

COMPLEMENTARY ACCESSORIES

	DESCRIPTION	CODE
	Stainless steel drawn block.	BLOCPRC

DIMENSIONS (mm)



TECHNICAL FEATURES

Material	AISI 420 stainless steel		
Nominal load (E max)	6 - 15 - 30 - 50 kg		
Combined error	≤ ±0.02%		
Protection class	IP67		
Rated output	2 mV/V ±10%	Input resistance	380 Ω ±10
Temperature effect on zero	0.002% °C	Output resistance	350 Ω ±5
Temperature effect on span	0.002% °C	Zero balance	±1%
Compensated temperature range	-10 °C / +40 °C	Insulation resistance	>5000 MΩ
Operating temperature range	-20 °C / +60 °C	Safe overload (% of full scale)	150%
Creep at nominal load in 30 minutes	0.02%	Ultimate overload (% of full scale)	300%
Max supply voltage without damage	15 V	Deflection at nominal load	0.3 mm

ELECTRICAL CONNECTIONS

Cable length	3 m
Cable diameter	5 mm
Cores	6 x 0.20 mm ²

