

Cable-Extension Position Transducer

0...5, 0...10, -5...+5, -10...+10 VDC Output Options

Ranges: 0-2 to 0-50 inches

Compact Size • OEM Applications



PT1DC

Specification Summary:

GENERAL

Full Stroke Range Options..... 0-2 to 0-50 inches
 Output Signal Options..... 0...5, 0...10, -5...+5, -10...+10 VDC
 Accuracy $\pm 0.28\%$ to $\pm 0.15\%$ full stroke *see ordering information*
 Repeatability $\pm 0.05\%$ full stroke
 Resolution essentially infinite
 Measuring Cable019-in. dia. nylon-coated stainless steel
 Enclosure Material ABS plastic and black anodized aluminum
 Sensor plastic-hybrid precision potentiometer
 Potentiometer Cycle Life *see ordering information*
 Maximum Retraction Acceleration..... *see ordering information*
 Weight 1 lb. max.

ELECTRICAL

Input 14.5-40 VDC (10.5-40 VDC for 0...5 and -5...+5 volt output)
 Input Current 10 mA maximum
 Output Impedance 1000 ohms
 Maximum Load..... 5000 ohms
 Zero and Span Adjustment *see ordering information*

ENVIRONMENTAL

Enclosure NEMA 4, IP 67
 Operating Temperature..... 0° to 200°F (-17° to 90°C)
 Vibration..... up to 10 G's to 2000 Hz maximum

EMC COMPLIANCE PER DIRECTIVE 89/336/EEC

Emission/Immunity EN50081-2 / EN50082-2



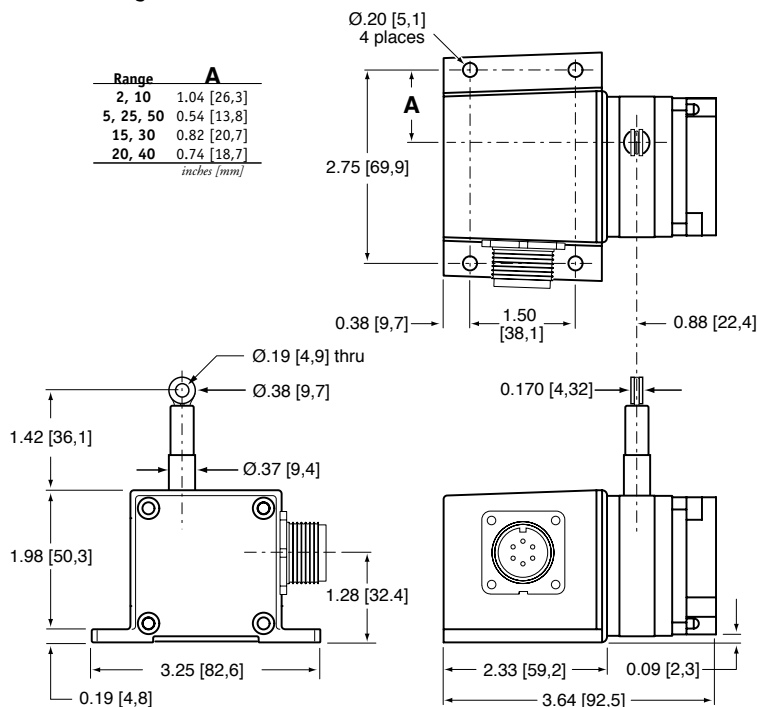
The PT1DC can operate from an unregulated 14.5 to 40 VDC power supply while providing an output signal that is proportional to the linear movement of its measuring cable. The PT1DC has a maximum measurement range up to 50" and has 4 output signal options to choose from: 0...10, 0...5, -10...+10 and -5...+5 Vdc.

Just like the rest of the PT1 series, the PT1DC also offers several options including forward and reverse output signals, zero and span adjustments and alternate measuring cable exits.

Outline Drawing

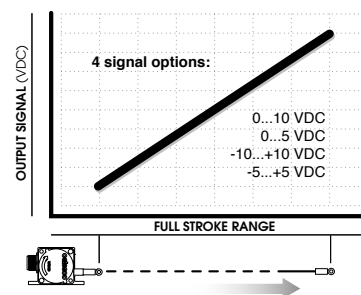
Range	A
2, 10	1.04 [26,3]
5, 25, 50	0.54 [13,8]
15, 30	0.82 [20,7]
20, 40	0.74 [18,7]

inches [mm]



dimensions are in inches [mm], tolerances are 0.03 inches [0,8 mm]

Output Signal



Nordic Transducer • Als Odde DK9560 Denmark
 Als Odde DK9560 Hadsund Denmark
 tel: +45 98581444 • fax: +45 98581866 e-mail: ntt@ntt.dk

celesco
 www.ntt.dk

Ordering Information:

Model Number:

PT1DC - _____ - _____ - _____ - _____ - _____
order code: **R** **A** **B** **C** **D**

Sample Model Number:

PT1DC - 30 - UP - Z10 - MC4 - SG

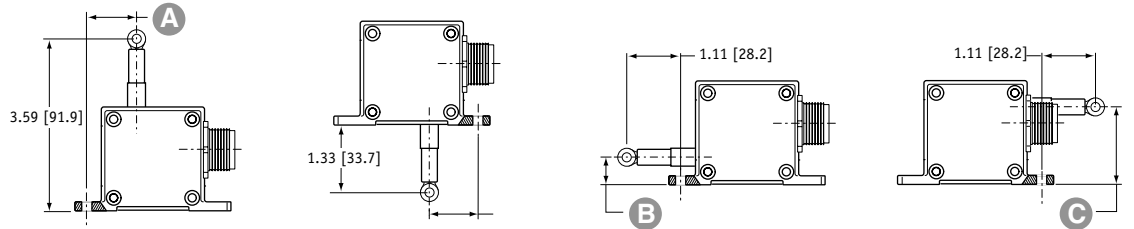
- R** range: 30 inches
- A** measuring cable exit: up
- B** output signal: 0...10 VDC
- C** electrical connection: 4-pin micro connector
- D** cable guide: spring-loaded guide

Full Stroke Range:

R order code:	2	5	10	15	20	25	30	40	50
full stroke range, min:	2 in.	5 in.	10 in.	15 in.	20 in.	25 in.	30 in.	40 in.	50 in.
accuracy (% of f.s.):	0.28%		0.18%				0.15%		
potentiometer cycle life:	2,500,000 cycles		500,000 cycles				250,000 cycles		
cable tension (20%):	12 oz.	5 oz.	12 oz.	9 oz.	6 oz.	5 oz.	9 oz.	6 oz.	5 oz.
maximum cable acceleration:	11 G's	3 G's	11 G's	5 G's	4 G's	3 G's	5 G's	4 G's	3 G's

Cable Exit:

A order code: **UP** **DN** **FR** **BK**
 direction: up down front back



measurement range	2	5	10	15	20	25	30	40	50
A	1.04 in. 26,3 mm	0.54 in. 13,8 mm	1.04 in. 26,3 mm	0.82 in. 20,7 mm	0.74 in. 18,7 mm	0.54 in. 13,8 mm	0.82 in. 20,7 mm	0.74 in. 18,7 mm	0.54 in. 13,8 mm
B	0.75 in. 19,1 mm	0.29 in. 6,1 mm	0.75 in. 19,1 mm	0.53 in. 13,5 mm	0.45 in. 11,5 mm	0.29 in. 6,1 mm	0.53 in. 13,5 mm	0.45 in. 11,5 mm	0.29 in. 6,1 mm
C	1.43 in. 36,3 mm	1.89 in. 48,0 mm	1.43 in. 36,3 mm	1.65 in. 41,9 mm	1.73 in. 43,7 mm	1.89 in. 48,0 mm	1.65 in. 41,9 mm	1.73 in. 43,7 mm	1.89 in. 48,0 mm

Output Signals:

B order code:	Z10	10Z	Z5	5Z	MOPO	POMO	M5P5	P5M5
output signal options:	0...10 VDC	10...0 VDC	0...5 VDC	5...0 VDC	-10...+10 VDC	+10...-10 VDC	-5...+5 VDC	+5...-5 VDC
input voltage:	14.5 - 40 vdc		10.5 - 40 vdc		14.5 - 40 vdc		10.5 - 40 vdc	
span adjustment:	from 100% to 50% of full stroke range				from 100% to 75% of full stroke range			
zero adjustment:	from factory set zero to 50% of full stroke range				from factory set zero to 25% of full stroke range			

example:



Ordering Information (cont.)

Electrical Connection:

Ⓒ order code:

MC4	M6	C25																												
4-pin micro-connector with 12 ft [3.5 M] cordset	6-pin plastic connector with mating plug	25-ft. instrumentation cable 24 AWG, shielded																												
<p>4-pin mating plug and cord set:</p> <table border="1"> <thead> <tr> <th>pin</th> <th>color code</th> <th>signals</th> </tr> </thead> <tbody> <tr> <td>1</td> <td>RED-BLK TR.</td> <td>input voltage</td> </tr> <tr> <td>2</td> <td>RED-WHT TR.</td> <td>output signal</td> </tr> <tr> <td>3</td> <td>RED</td> <td>common</td> </tr> </tbody> </table> <p>contact view</p>	pin	color code	signals	1	RED-BLK TR.	input voltage	2	RED-WHT TR.	output signal	3	RED	common	<p>6-pin mating plug:</p> <table border="1"> <thead> <tr> <th>pin</th> <th>signals</th> </tr> </thead> <tbody> <tr> <td>A</td> <td>input voltage</td> </tr> <tr> <td>B</td> <td>output signal</td> </tr> <tr> <td>C</td> <td>common</td> </tr> </tbody> </table> <p>contact view</p>	pin	signals	A	input voltage	B	output signal	C	common	<p>25-ft. cable:</p> <table border="1"> <thead> <tr> <th>color code</th> <th>standard</th> </tr> </thead> <tbody> <tr> <td>RED</td> <td>input voltage</td> </tr> <tr> <td>BLACK</td> <td>common</td> </tr> <tr> <td>GREEN</td> <td>output signal</td> </tr> </tbody> </table>	color code	standard	RED	input voltage	BLACK	common	GREEN	output signal
pin	color code	signals																												
1	RED-BLK TR.	input voltage																												
2	RED-WHT TR.	output signal																												
3	RED	common																												
pin	signals																													
A	input voltage																													
B	output signal																													
C	common																													
color code	standard																													
RED	input voltage																													
BLACK	common																													
GREEN	output signal																													

Cable Guide:

Ⓓ order code:

blank	SG
standard cable guide	spring-loaded guide
	<p>cable-guide cushions impact from accidental free release</p>

*note: start of full stroke range begins at **full compression** point