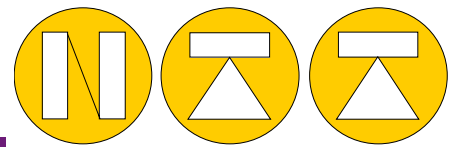


RLC-C3-80 IP66/68

Load Cell



NORDISK TRANSDUCER



2 - 5ton with adjustable foot



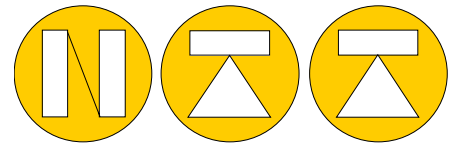
250kg - 1 ton

The C3-80 is a fully stainless steel, hermetical sealed load cell. A protection level of IP66/IP68 to IEC 529 is established by the use of laser welded top and bottom diaphragms and a glass to metal cable entry. Each load cell, in the final production stage, is filled with helium, to verify the sealing. After leak detection the helium is replaced by argon to avoid any residual contamination in the load cell. All compensating components are placed on a printed circuit board, to provide an optimum resistivity against vibration and shock

SPECIFICATIONS C3-80

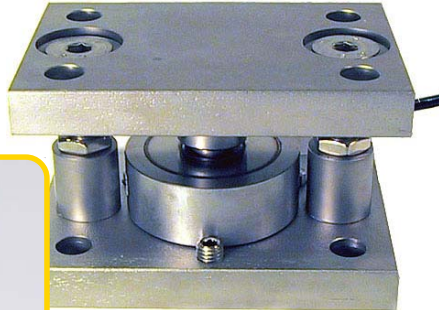
NOMINAL LOAD in kg	250 - 500 - 1000 - 2000-3500- 5000 kg		
ACCURACY CLASS	C3		
Combined Error	< +/- 0.0230%		
Non Repeatability	< +/- 0.0100%		
Minimum Dead Load output return	< +/- 0.0167%		
Minimum Verification Intervals	$E_{max}/10000$		
Creep Error (30 Minutes)	< +/- 0.0245%		
Hysteresis	< +/- 0.0167 %S.		
Temp. effect on Min Dead Load	< +/- 0.0070 %S/5 °C		
Temp. effect on sensitivity	< +/- 0.0050 %S/5 °C		
NOMINAL SENSITIVITY+/-0.1%	2mV/V (1.75 +/-0.1 mV/V for 250kg)		
INPUT RESISTANCE	1110 Ohm	DEFLECTION at E_{max}	0.10 +/-0.02mm
OUTPUT RESISTANCE	1025 Ohm	NOMINAL TEMP. RANGE	-10/+40 °C
SUPPLY VOLTAGE N.10V	5 - 15 Volt	SERVICE TEMP. RANGE	-30/+70 °C
MECHANICAL LIMIT VALUES RELATED TO NOMINAL LOAD		STORAGE TEMP. RANGE	-40/+80 °C
		PROTECTION CLASS	IP66/68
a) minimum dead load	0%	CURRENT CALIBRATED	SC version OK !
b) service load	100%	CELL MATERIAL Stainless	DIN 1.4542
c) max. permissible load	150%	CABLE LENGTH	2.7m to 1t 4.7m 2-5t
d) Ultimate Overload	>300%	FIXING BOLTS	3xM6
e) max. side load	100%	Tightening torque	12...14Nm
f) max. dynamic load	50%	Wire	4

All specifications subject to change without notice



NORDISK TRANSDUCER

RLC-C3-80 Silo Mounts



2 sizes all in stainless steel execution
one for 250kg to 1.0t
one for 2.0t to 5.0t

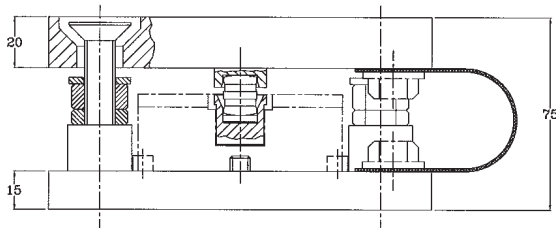
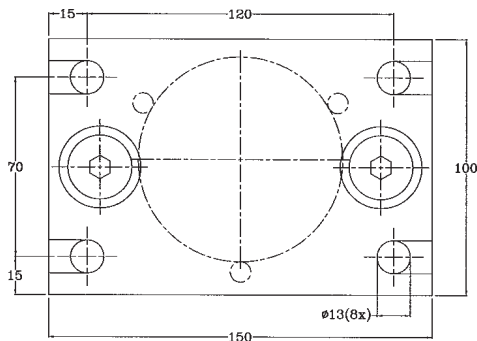


Rocker Pin principle shown here with rocker pin in the middle and hardened top and bottom part for the pin to move on.

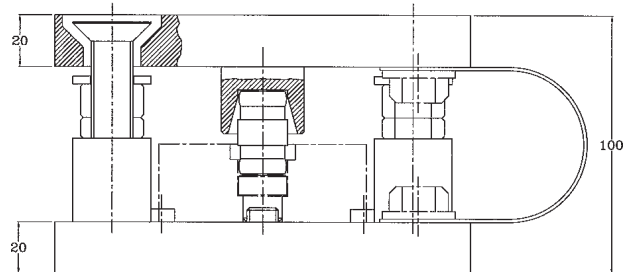
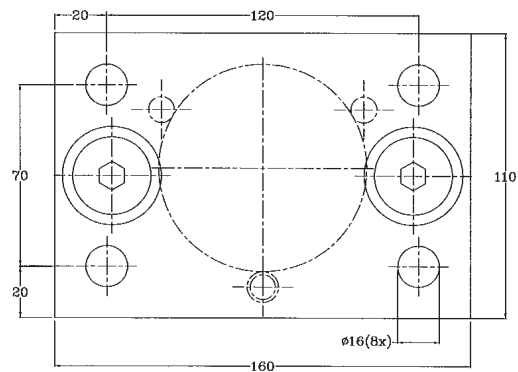


The load cell can be mounted afterwards, when the whole silo setup is finish !!!

RLC-C3-80 Silo Mounts Dimensions



C3S-80 Silo mount 250kg to 1.0t



C3S-80 Silo mount 2.0t kg to 5.0t