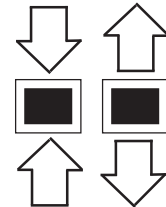


**NORDIC TRANSDUCER**

S-1i High Precision Tension load cell OIML R60 C3 - C4 - C5 & C6

Capacities from 30kg to 150 kg



*Super accurate small size tension / compression load cell produced by SENSOCAR*

### S-1i SPECIFICATIONS

NOMINAL LOAD in Steel	30kg, 50kg, 75kg, 100kg, 150kg			
NOMINAL LOAD in Stainless	30kg, 50kg, 75kg, 100kg, 150kg			
Produced according to:	OIML R60 C3 - C4 - C5 & C6			
COMBINED ERROR	< +/- 0.020 - 0.015%			
NONREPEATABILITY	< +/- 0.010%			
ZERO DRIFT 30 MIN	< +/- 0.020 %			
TEMPERATURE EFFECT 10°C				
on zero	< +/- 0.030 %			
on span	< +/- 0.008 %			
<b>V<sub>min</sub></b>	E <sub>max</sub> / 12000			
NOMINAL SENSITIVITY +/- 0.1%	2mV/Volt	a) minimum load	0%	
INPUT RESISTANCE	350 Ohm +/- 5 Ohm	b) service load	120%	
OUTPUT RESISTANCE	350 Ohm +/- 3 Ohm	c) max. permissible load	150%	
ZERO BALANCE	1%	d) breaking load	>300%	
SUPPLY VOLTAGE N.10V	5 - 15 Volt	e) max. side load	100%	
<b>Wiring:</b> Excitation+      Red Sense +            Yellow Excitation-      Black Sense -            Blue Output+          Green Output-          White	Sense wires optional !		f) max. dynamic load	50%
			DISPLACEMENT N.LOAD	0.2mm
			TEMP. RANGE OIML R60	- 10/+40 °C
			PROTECTION CLASS	IP65
			CELL MATERIAL	see above
			CABLE Ø 4.5mm length	5 meter

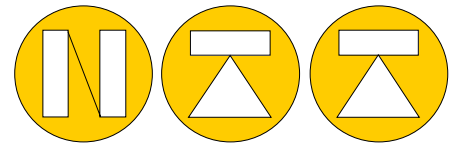
## Nordic Transducer

Als Odde, DK-9560 Hadsund Denmark

Tel.: +45 98581444, Fax.: +45 98581866

E-mail: ntt@ntt.dk, WEB: www.ntt.dk

*All specifications subject to change without notice*

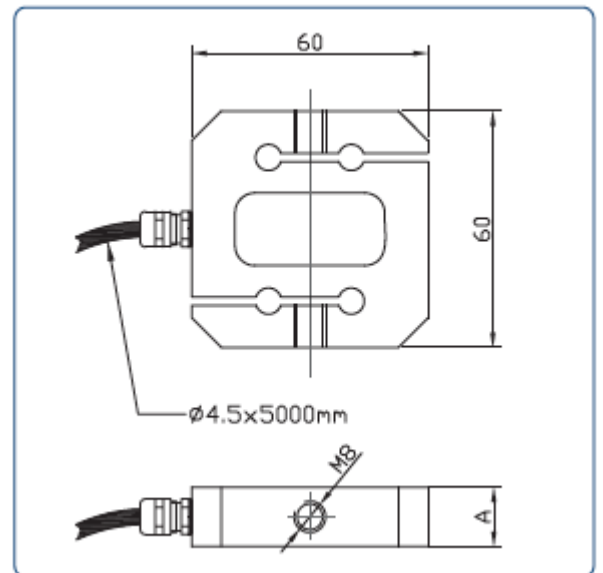
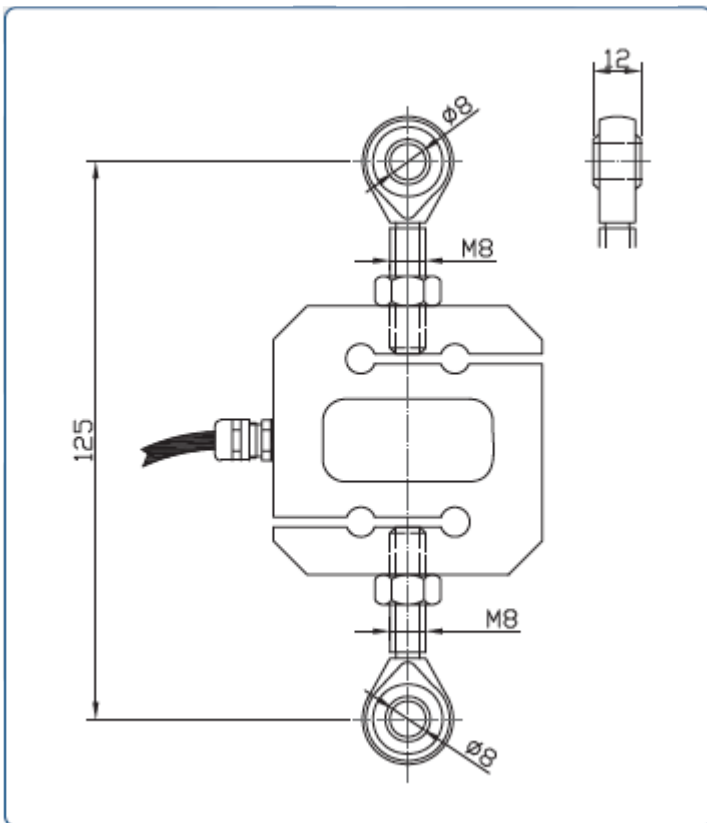


**NORDIC TRANSDUCER**



S-1i High Precision Tension load cell  
OIML R60 C3 - C4 - C5 & C6

Capacities from 30kg to 150 kg



## Nordic Transducer

Als Odde, DK-9560 Hadsund Denmark

Tel.: +45 98581444, Fax.: +45 98581866

E-mail: [ntt@ntt.dk](mailto:ntt@ntt.dk), WEB: [www.ntt.dk](http://www.ntt.dk)