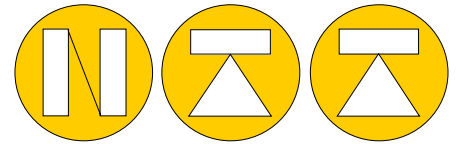




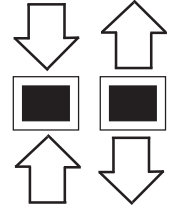
# Tension Load Cell



NORDIC TRANSDUCER

## Type S2-B

From 750kg to 10000kg



The **S-2B** is a stainless steel or steel tension & compression type cell which can be used at many places where "normal" load cells not are appropriate. It is a very robust cell there can be used under server hostile environments and very easy be connected via standard rod - ends bearings in both ends or mounted with special compression button set-up.

### S-2B SPECIFICATIONS

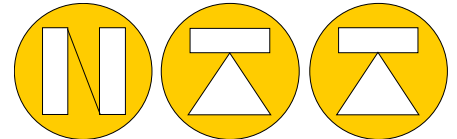
NOMINAL LOAD in Steel	750kg, 1.0t, 1,5t, 2.0t, 2,5t 3.0t, 5.0t, 6.0t & 10ton		
NOMINAL LOAD in Stainless	750kg, 1.0t, 1,5t, 2.0t, 2,5t & 3.0ton		
Produced according to:	OIML R60 C3 - C4 ( special option C6 )		
COMBINED ERROR	< +/- 0.020 - 0.015%		
NONREPEATABILITY	< +/- 0.010%		
ZERO DRIFT 30 MIN	< +/- 0.020 %		
TEMPERATURE EFFECT 10°C	on zero	< +/- 0.030 %	
	on span	< +/- 0.010 %	
<b>V<sub>min</sub></b>	E <sub>max</sub> /12000		
NOMINAL SENSITIVITY +/-0.1%	2mV/Volt	a) minimum load	0%
INPUT RESISTANCE	350 Ohm +/-3 Ohm	b) service load	120%
OUTPUT RESISTANCE	350 Ohm +/- 3 Ohm	c) max. permissible load	150%
ZERO BALANCE	0.5%	d) breaking load	>300%
SUPPLY VOLTAGE N.10V	5 - 15 Volt	e) max. side load	100%
<b>Wiring:</b> Excitation+      Red Sense +            Yellow Excitation-      Black Sense -            Blue Output+            Green Output-            White	Sense wires optional !	f) max. dynamic load	50%
		DISPLACEMENT N.LOAD	0.2mm
		TEMP. RANGE OIML R60	- 10/+40 °C
		PROTECTION CLASS	IP67
		CELL MATERIAL	se above
		CABLE Ø 4.5mm length	5 meter

Nordic Transducer

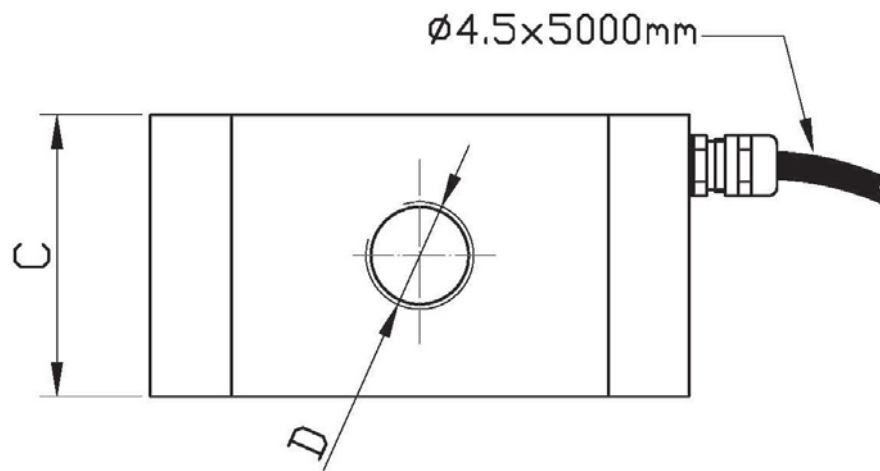
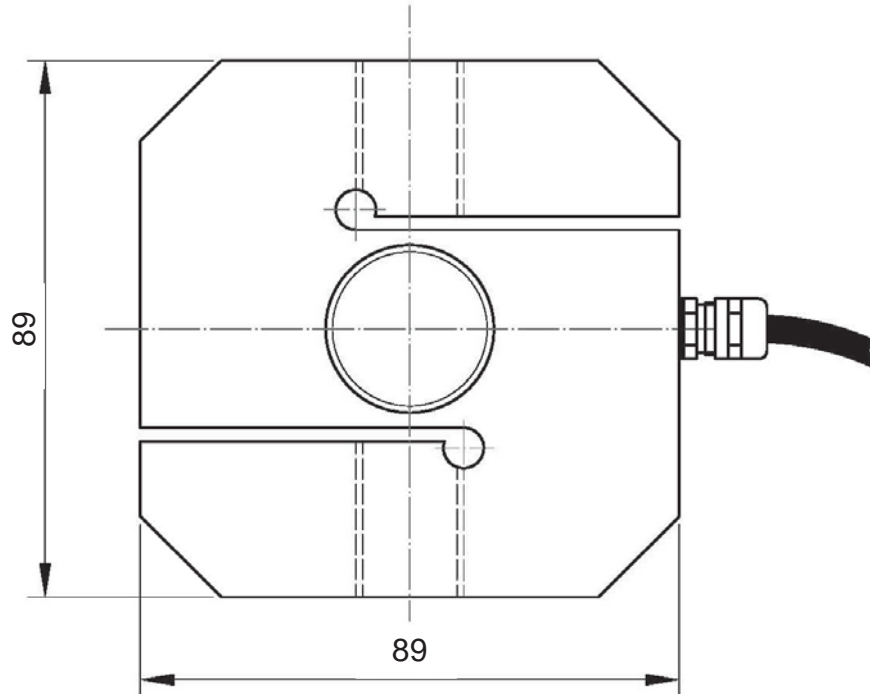
All specifications subject to change without notice

NEW DIMENSIONS IN 2016

S2-B Dimensions in mm



**NORDIC TRANSDUCER**



2500

Capac. (Kg)	750	1000	1500	2000	3000	5000	6000	10000
C	35	35	35	42	42	42	42	52
D	M12	M12	M16	M16	M24x2	M24x2	M24x2	M24x2

*Standard Rod end Bearings  
can also be supplied !*

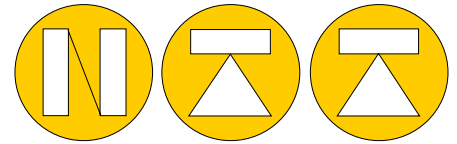
## Nordic Transducer

Als Odde, DK-9560 Hadsund Denmark

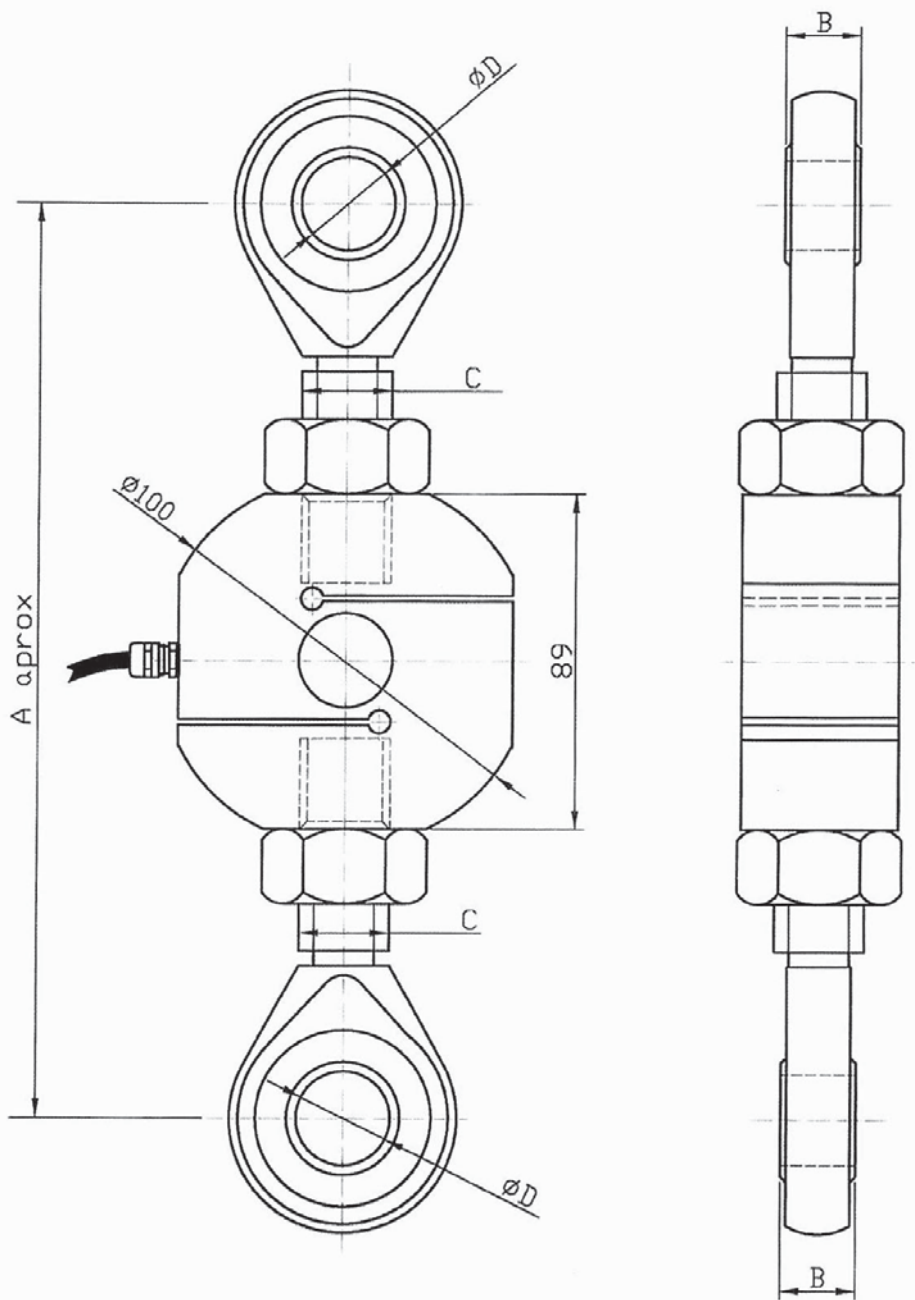
Tel.: +45 98581444, Fax.: +45 98581866

E-mail: [ntt@ntt.dk](mailto:ntt@ntt.dk), WEB: [www.ntt.dk](http://www.ntt.dk)

NEW DIMENSIONS IN 2016  
Rod End Bearings



**NORDIC TRANSDUCER**



	(Kg)							
Capacity -	750	1000	1500	2000	3000	5000	6000	10000
A	157/163		183/192		235/240			
B	16		14		20			
C	M12		M16		M24x2			
D	ø12		ø17		ø25			