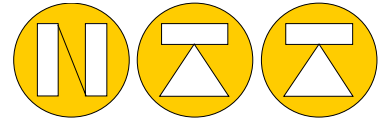




# S-2B-T24 Dynamometer

**WIRELESS TRANSMISSION** World-wide approved, license exempt  
**2.4GHZ Radio transmission**



**NORDIC TRANSDUCER**



The **S-2B-T24** is a stainless steel type Dynamometer which can be used many places where "normal" Dynamometer not are appropriate.

It is equipped with the very modern **2.4 GHz** wireless T24 transmission system which can work up to 80m with internal antenna in line where both parts can see each other, and up to 200m with external antenna.

T24-HS hand-held indicator will receive the weighing result from 1 Dynamometer, where T24-HA can receive from up to 8 different Dynamometers / load cells

Transmission can also be done to a RS232/485 communication box or an analogue unit on the ground so the weighing results can be handled in PC/PLC what must fit best to your applications.

Please contact us for further information on this new approach in wireless weighing.



## T20-T24 SPECIFICATIONS

NOMINAL LOAD <sup>1)</sup>	1, 1.5, 2, 2.5, 3 ton	a) minimum load	0%
		b) service load	100%
COMBINED ERROR <sup>2)</sup>	< +/- 0.05%	c) max. permissible load	120%
NON REPEATABILITY	< +/- 0.02%	d) breaking load	>300%
ZERO DRIFT 30 MIN	< +/- 0.040%	e) max. side load	100%
TEMPERATUR EFFECT 10°C		f) max. dynamic load	75%
on zero	< +/- 0.028 %	DISPLACEMENT N.LOAD	0.3mm
on span	< +/- 0.008 %	NOMINAL TEMP. RANGE	- 10/+40 °C
NOMINAL SENSITIVITY +/-0.1%	2mV/Volt	SERVICE TEMP. RANGE	-20/+70 °C
INPUT RESISTANCE	350 Ohm	PROTECTION CLASS	IP65
OUTPUT RESISTANCE	350 Ohm	WEIGHT	1.8kg - 3.0kg
ZERO BALANCE	0.5%	CELL MATERIAL	Stainless steel
SUPPLY VOLTAGE	Battery		

Gravity acceleration  $g = 9.804537 \text{ m/s}^2$

1) At 300% breaking load limit, 0.085% at 500%

2) At 300% breaking load limit, 0.04% at 500%

All specifications subject to change without notice

## Nordic Transducer

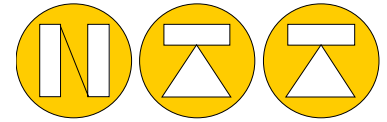
Als Odde, DK-9560 Hadsund Denmark

Tel.: +45 98581444, Fax.: +45 98581866

E-mail: [ntt@ntt.dk](mailto:ntt@ntt.dk) WEB: [www.ntt.dk](http://www.ntt.dk)

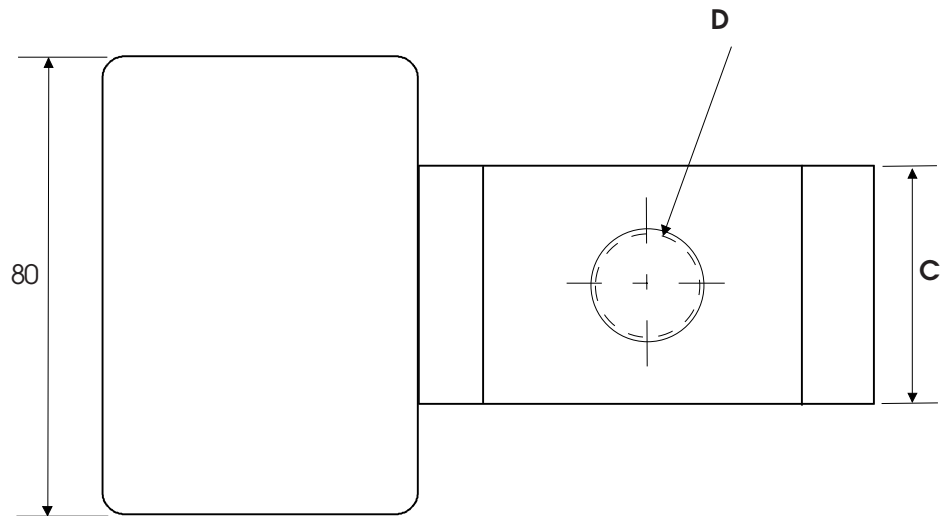
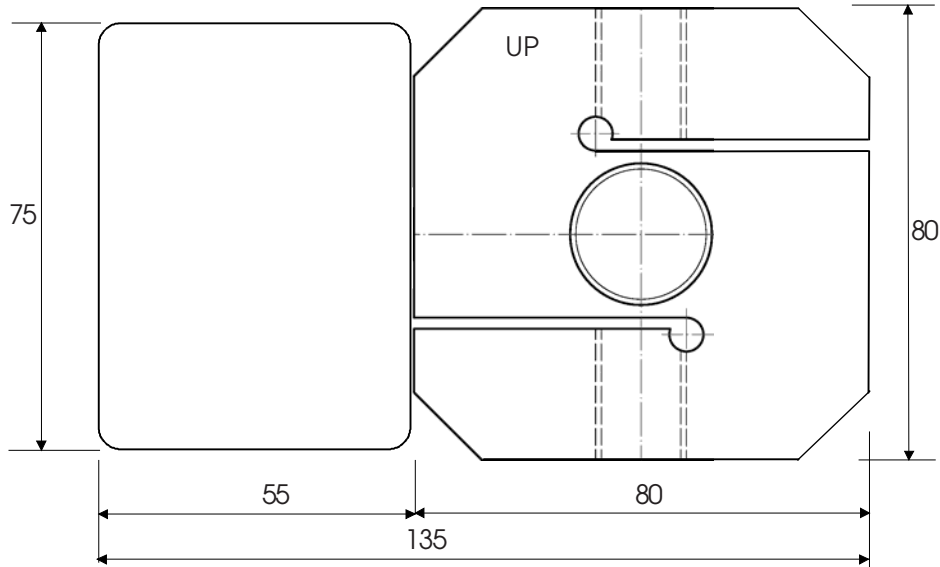


WIRELESS TRANSMISSION World-wide approved, license exempt  
2.4GHZ Radio transmission



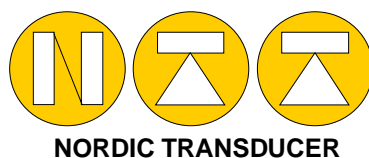
# LOAD CELL TYPE S-2B-T24 NORDIC TRANSDUCER

DIMENSIONS in mm



Capacity ton	1	1.5	2.0	2.5	3.0	(at 300% breaking load)
C	35	35	42	42	42	
D	M12	M16	M16	M24	M24	

Accessories: Rod end bearings, Swivel rings, shackles can all be supplied for your job !



**Nordic Transducer**

Als Odde, DK-9560 Hadsund Denmark  
Tel.: +45 98581444, Fax.: +45 98581866  
E-mail: [ntf@ntf.dk](mailto:ntf@ntf.dk) WEB: [www.ntf.dk](http://www.ntf.dk)