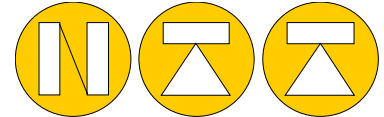




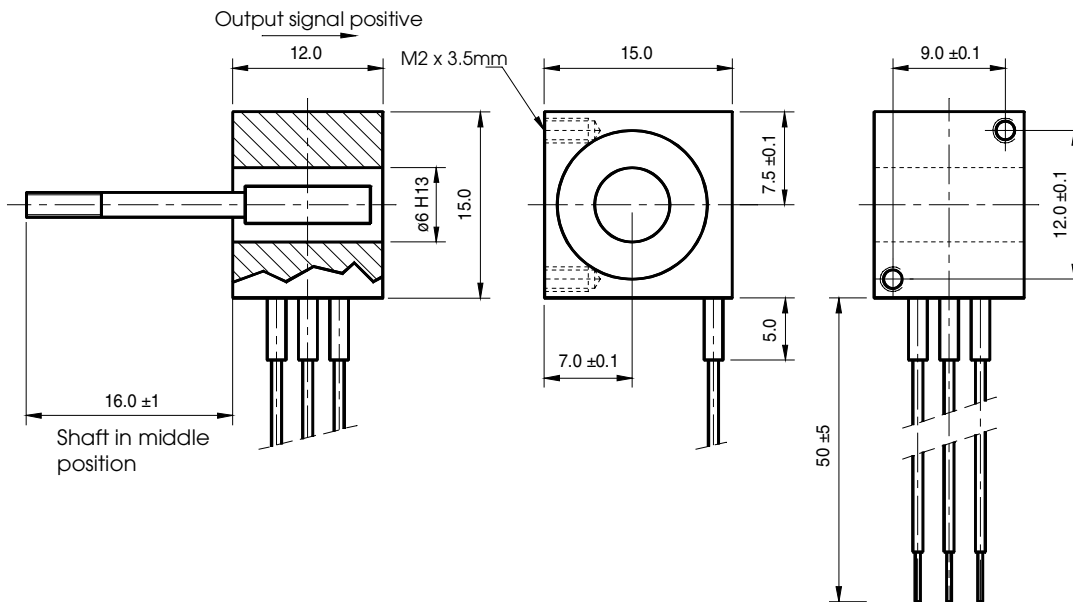
Inductive Position Transducer SM206.2.x +/- 1.0mm Very High sensitivity



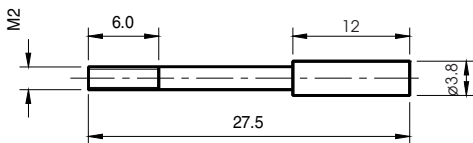
NORDIC TRANSDUCER



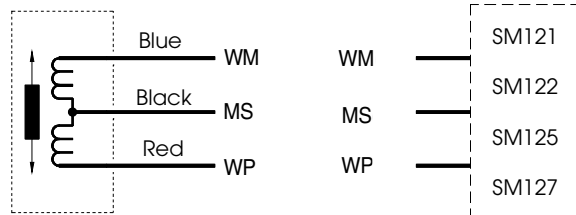
Working range: +/- 1.0mm
 Linearity: +/-0.5% (option +/-0.25%)
 Sensitivity: 765mV/mm +/-10%
 Temp. range: -25°C - +85°C
 Wiring: 50mm long 3 wire kynar
 Plunger: 3mm with M2 thread, brass with chrome on signal part.



Shaft/plunger dimensions:



Connections



SM120 series electronic excitation modules for SM205 Mini inductive transducer

Order information:

