

SP-A

Capacity

10 - 15 - 20 - 25 - 30 - 35 - 40 - 50 t



Certificate
LOM 07ATEX2006



Certificate
N° E-02.02.C06



R60/2000-ES1-09.01

Compression load cell

Up to 4000 divisions OIML-R60

Fully stainless steel

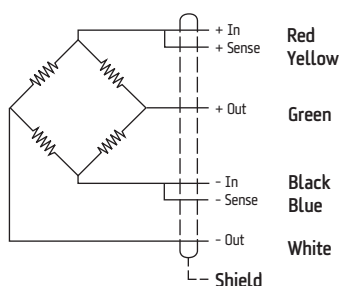
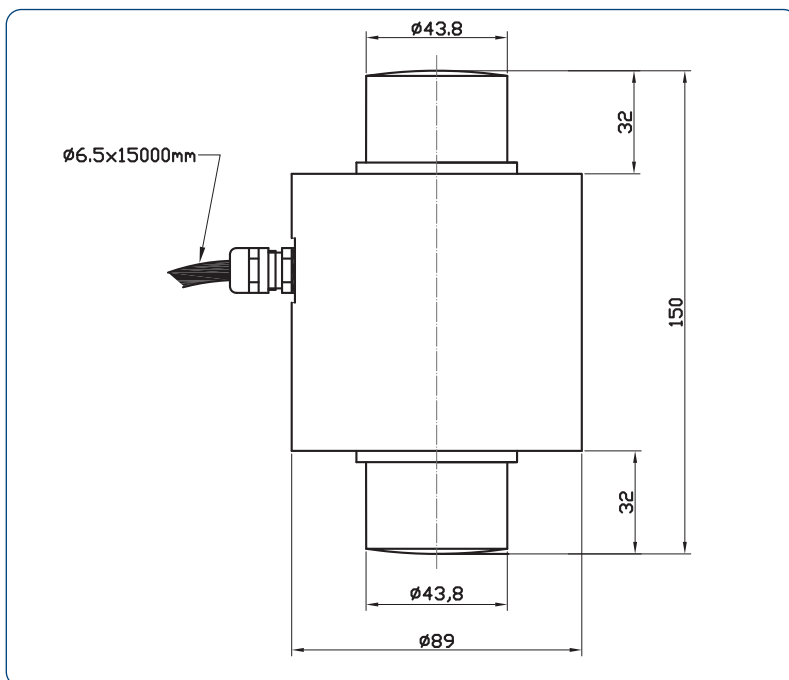
Fully welded. Protected against humidity IP-68 (EN 60529)

With gas dischargeers to protect against atmospheric discharges

Available in ATEX version (optional)
(II 1GD Ex ia IIC T6 IP67 T85°C)

Technical Data

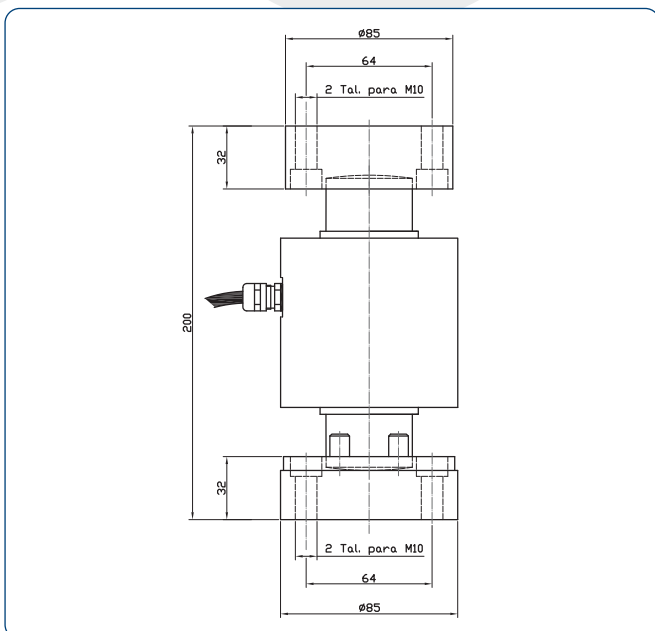
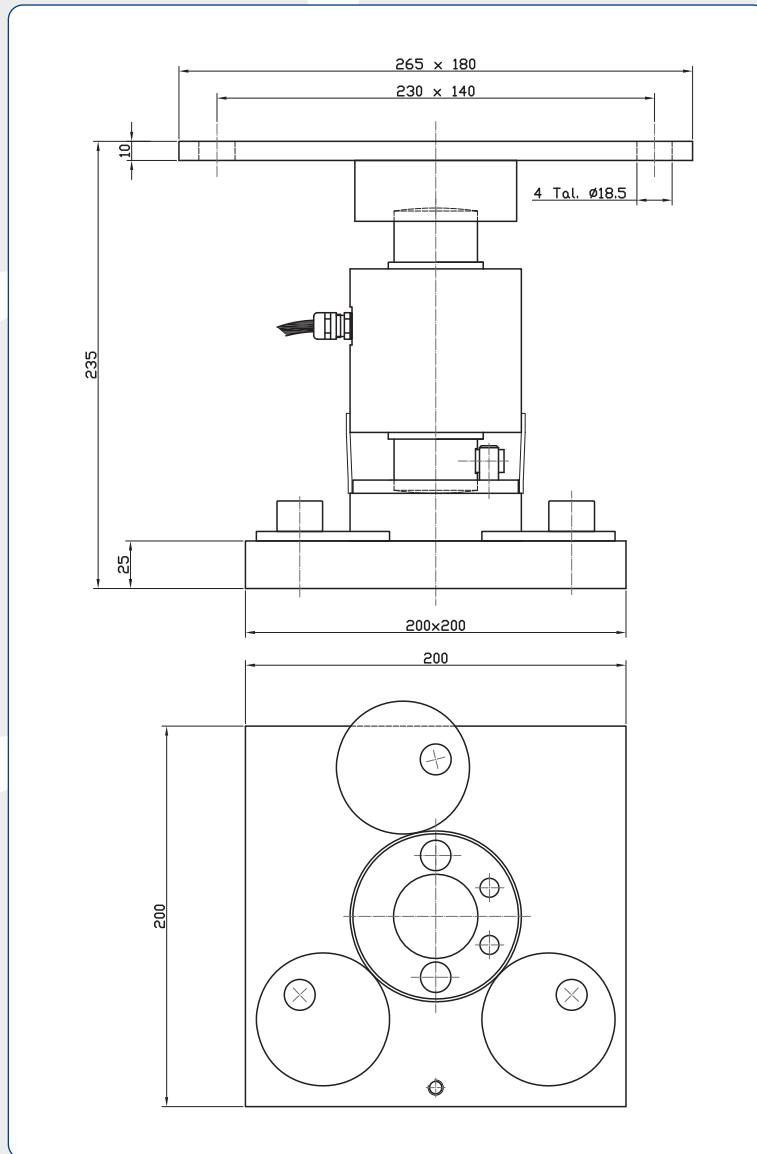
Accuracy class	C3-C4
Rated output	$2 \pm 0.1\%$ mV/V
Vmin	Emax/14000
Excitation Voltage	5÷15 V
Input Resistance	$800 \pm 3 \Omega$
Output resistance	$700 \pm 3 \Omega$
Temperature limits OIML R60	-10° C / +40° C
Insulation resistance	> 5000 M Ω



NORDIC TRANSDUCER
DK-9560 Hadsund Denmark
ntt@ntt.dk www.ntt.dk

Connections
Optional Sense

Support accessory SP



Bases Accessory SP

