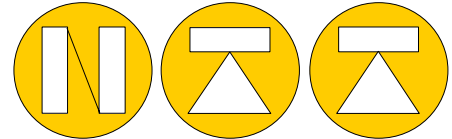


Data Sheet: TCE.313.R4

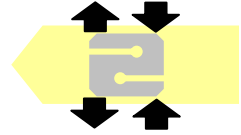
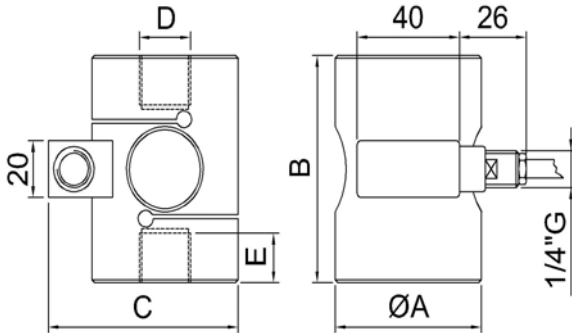
TCE Compression/Tension Load cell

TCE



NORDIC TRANSDUCER

Dimensions mm



CODE	LOAD	ØA	B	C	D	E
CTCE57350K5	350 kg	57	80	74.5	M20X1.5	17
CTCE57500K5	500 kg					
CTCE571TK5	1 t					
CTCE572T55	2.5 t					
CTCE575T5	5 t					
CTCE825T5	5 t	82	110	102	M30X2	20
CTCE827T55	7.5 t					
CTCE8210T5	10 t					
CTCE8220T5	20 t					



RoHS
COMPLIANCE

≤±0.03%

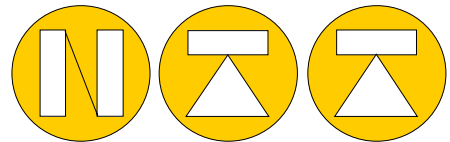
Linearity/Hysteresis

Technical Data



NOMINAL LOAD	350 - 500 kg 1 - 2.5 - 5 ⁽¹⁾ - 7.5 - 10 - 20 t
NOMINAL SENSITIVITY	2mV/V
SENSITIVITY TOLERANCE	≤ ±0.1%
TEMPERATURE EFFECT (10 °C)	
a) on zero	≤ ±0.030%
b) on sensitivity	≤ ±0.011%
LINEARITY	≤ ±0.03%
HYSTERESIS	≤ ±0.03%
REPEATABILITY	≤ ±0.01%
INPUT RESISTANCE	420 ± 20Ω
OUTPUT RESISTANCE	350 ± 2Ω
INSULATION RESISTANCE	> 5 GΩ
ZERO BALANCE	≤ ±1%
RECOMMENDED SUPPLY VOLTAGE	10 V
NOMINAL SUPPLY VOLTAGE	1-15 V
MAXIMUM SUPPLY VOLTAGE	18 V
MECHANICAL LIMIT VALUES REFERRED TO NOMINAL LOAD :	
a) service load	120%
b) max permissible load	150%
c) breaking load	>300%
d) max transverse load	50%
e) max permissible dynamic load	50%
DISPLACEMENT AT NOMINAL LOAD	~ 0.3 mm
REFERENCE TEMPERATURE	+23°C
TEMPERATURE NOMINAL RANGE	-10/+40 °C
SERVICE TEMPERATURE	-20/+70 °C
STORAGE TEMPERATURE	-20/+80 °C
WEIGHT	Ø57:~1.5 kg Ø82:~4.2 kg 20t:~5kg
PROTECTION CLASS (EN 60529)	IP67
EXECUTION MATERIAL	Inox / Stainless Steel
CABLE LENGTH	5 m
RECOMMENDED Rod end Bearings	PFE 20U

(1) The load cell Ø57 5ton, is guaranteed for applications in **COMPRESSION** only.



NORDIC TRANSDUCER

Applications

COMPRESSION	TENSION
<p>TCE 350kg, 500kg, 1t, 2.5t, 5t A = 117 mm TCE 5t, 7.5t, 10t A = 149 mm TCE 20t A = 198 mm</p>	<p>TCE 350kg, 500kg, 1t, 2.5t B = ~200mm TCE 5t, 7.5t, 10t B = ~300mm TCE 20t B = ~420mm</p>



WARNING:
 Cable weight can influence measurement, it is therefore recommended to place it at the opposite site of the load.



Accessories



TCE:	CODE:		ACCESSORIES (optional):
350kg, 500kg 1t, 2.5t, 5t	CTIC22	①	Loading head.
	CTS25M20	②	Spherical loading head.
	CACCEM20	③	Rod end bearing
5t, 7.5t, 10t	CTIC28	①	Loading head.
	CTS45M30	②	Spherical loading head.
	CACCEM30	③	Rod end bearing
20 t	CTIC35	①	Loading head.
	CTS62M42	②	Spherical loading head.
	CACCEM42	③	Rod end bearing

Electrical Connections

PVC105°C shielded cable, Ø5.2mm with 4tinned Ø 0.35mm² conductors.

Load Cell	OUTPUT	CABLE
	EXCITATION+ EXCITATION - OUTPUT+ OUTPUT- -----	Red Black White Yellow Shield*

Connected to the body of the load cell.

Nordisk Transducer Teknik Als Odde DK-9560 Hadsund Denmark
 Tel. +45 98581444 Fax. +45 98581866
 E-mail: ntt@ntt.dk Internet: <http://www.ntt.dk>

In order to improve the technical performances of the product, the company reserves the right to make any changes without notice.