

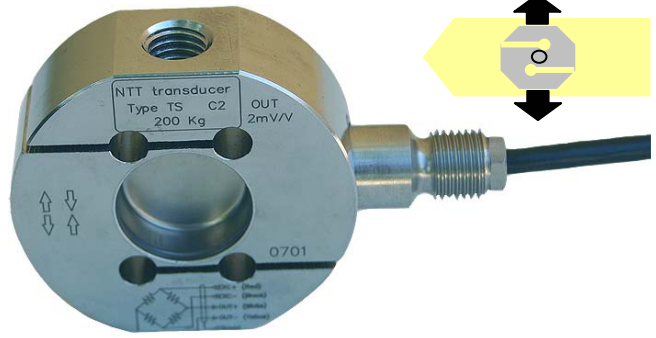
TS – TSA Load Cells

Accessories

Road end Bearings



Protection Class: IP68
Completely LASER welded
Long term high stability
For dynamic applications



RoHS
COMPLIANCE

Certificate **TSA**: R60/2000-GB1-07.03

OPTION :  II 2 G Ex ib IIC T6
II 2 D Ex ibD 21 T70°C

Certificate: TÜV 06 ATEX 553026 X

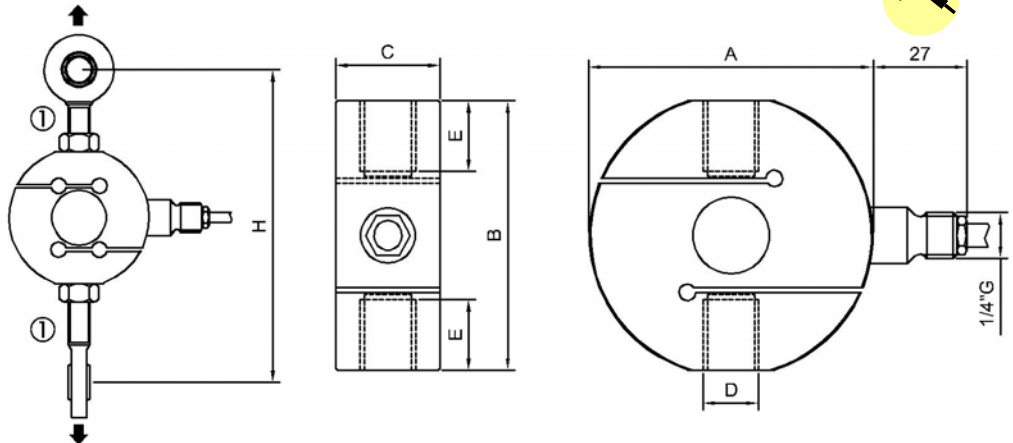
Dimensions

↔mm↔



①
ACCESSORIES
Rod end Bearings

LOAD	CODE
10 ÷ 500 kg	PFE12U
500 kg ÷ 2t	PFE16U
2.5 t	PFE20U
5, 7.5 t	PFE25U



	TS (C2)	TS (C3)	LOAD	A	B	C	D	E	H
	CTS6310KC25	CTS6310KC35	10 kg	63.5	59.5	22	M12X1.75	12	~ 134
	CTS6325KC25	CTS6325KC35	25 kg						
	CTS6350KC25	CTS6350KC35	50 kg						
	CTS63100KC25	CTS63100KC35	100 kg						
	CTS63200KC25	CTS63200KC35	200 kg						
	CTS63300KC25	CTS63300KC35	300 kg						
	CTS63500KC25	CTS63500KC35	500 kg	82	78	30	M16X2	20	~ 170
	CTS82500KC25	CTS82500KC35	500 kg						
	CTS821TC25	CTS821TC35	1 t						
	CTS822TC25	CTS822TC35	2 t	82	78	30	M20X1.5	20	~ 194
	CTS822T5C25	CTS822T5C35	2.5t						
	CTS1025TC25	CTS1025TC35	5 t						
	CTS1027T5C25	CTS1027T5C35	7.5t	102	90	45	M24X2	21.5	~ 235

APPROVED

	TSA-R60 (C2)	TSA-R60 (C3)	TSA-R60 (C4)	LOAD	A	B	C	D	E	H
	CTSA63100KC25	CTSA63100KC35	/	100 kg	63.5	59.5	22	M12X1.75	12	~ 134
	CTSA63200KC25	CTSA63200KC35	/	200 kg						
	CTSA63300KC25	CTSA63300KC35	/	300 kg						
	CTSA63500KC25	CTSA63500KC35	/	500 kg						
	CTSA82500KC25	CTSA82500KC35	CTSA82500KC45	500 kg						
	CTSA821TC25	CTSA821TC35	CTSA821TC45	1 t						
	CTSA822TC25	CTSA822TC35	CTSA822TC45	2 t	82	78	30	M16X2	20	~ 170
	CTSA822T5C25	CTSA822T5C35	CTSA822T5C45	2.5t						
	CTSA1025TC25	CTSA1025TC35	/	5 t						
	CTSA1027T5C25	CTSA1027T5C35	/	7.5t	102	90	45	M24X2	21.5	~ 235

Technical Data



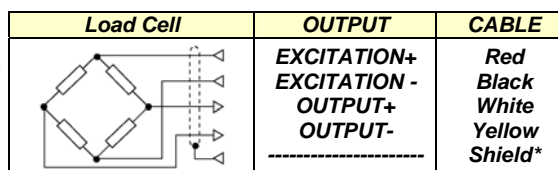
ACCURACY CLASS: OIML R60	C2	C3	C4
LEGAL DIVISIONS	2000	3000	4000
NOMINAL LOAD (E_{max})	10 ⁽¹⁾ – 25 ⁽¹⁾ – 50 ⁽¹⁾ kg 100 – 200 – 300 – 500 kg 1 – 2 – 2.5 – 5 – 7.5 t		500 kg 1-2-2.5 t
MINIMUM VERIFICATION INTERVAL (V_{min})	$E_{max} / 10000$		$E_{max} / 15000$
COMBINED ERROR	≤ ±0.023%	≤ ±0.018%	≤ ±0.015%
NON REPEATABILITY	≤ ±0.015%	≤ ±0.010%	≤ ±0.010%
ZERO RETURN over 30 min.	≤ ±0.025%	≤ ±0.015%	≤ ±0.010%
CREEP at nominal load:			
a) over 30 min.	≤ ±0.025%	≤ ±0.015%	≤ ±0.015%
b) over 20 and 30 min.	≤ ±0.005%	≤ ±0.005%	≤ ±0.003%
TEMPERATURE EFFECT (10 °C)			
a) on zero	≤ ±0.028%	≤ ±0.010%	≤ ±0.008%
b) on sensitivity	≤ ±0.012%	≤ ±0.010%	≤ ±0.008%
NOMINAL SENSITIVITY	2mV/V		
SENSIVITY TOLERANCE	≤ ±0.1%		
INPUT RESISTANCE	420 ± 20Ω		
OUTPUT RESISTANCE	350 ± 2Ω		
INSULATION RESISTANCE	> 5 GΩ		
ZERO BALANCE	≤ ±1%		
RECOMENDED SUPPLY VOLTAGE	10 V		
NOMINAL SUPPLY VOLTAGE	1-15 V		
MAXIMUM SUPPLY VOLTAGE	18 V		
MECHANICAL LIMIT values referred to nominal load:			
a) minimum load	0%		
b) service load	120%		
c) max permissible load	150%		
d) breaking load	>300%		
e) max transverse load	100%		
f) max permissible dynamic load	50%		
DISPLACEMENT AT NOMINAL LOAD	~ 0.2 mm		
REFERENCE TEMPERATURE	+23°C		
TEMPERATURE NOMINAL RANGE	-10/+40 °C		
SERVICE TEMPERATURE	-20/+70 °C		
STORAGE TEMPERATURE	-20/+80 °C		
WEIGHT	~ 0.6 kg	~ 1.2 kg	~ 2.6 kg
PROTECTION CLASS (EN 60529)	IP68 (100h at 1m water column) IP65 (10, 25, 50 kg silicon cover)		
EXECUTION MATERIAL	Stainless Steel		
CABLE LENGTH	5m		

/ Acceleration of gravity $g=9.80434 \text{ m/s}^2$

⁽¹⁾ / ATEX option **NOT** available.

Electrical Connections

PVC 105°C shielded cable, Ø5.2mm with 4 tinned Ø0.35mm² conductors.



*NOT Connected to the body of the load cell.

OPTIONS:

M12 connector mounted on the cell instead of cable.

This load call can also be supplied in a version with build in amplifier = Type TS-AMP

With outputs as 4-20mA or +/- 5V or +/-10V

