

# Washer type load cell



## Features

- Capacity 50N-1KN
- Low profile and compact size
- Through-hole
- Stainless steel construction

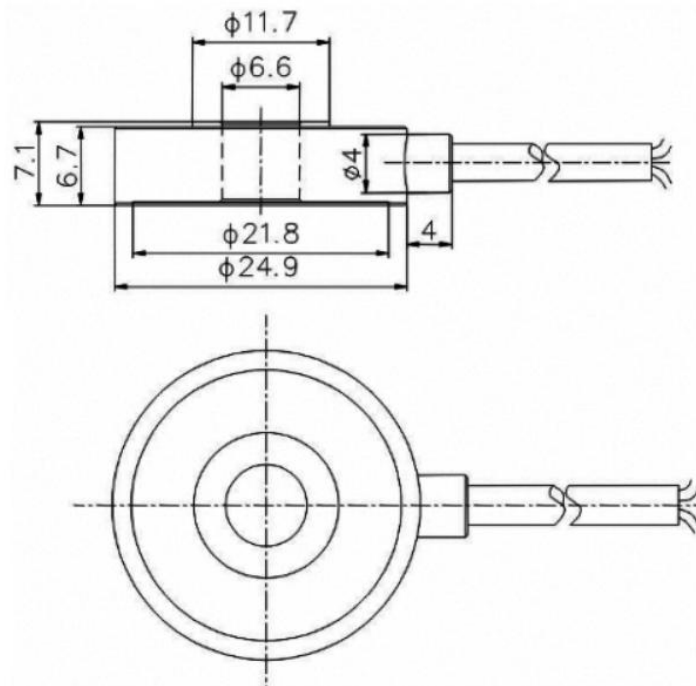
## Optional features

- Customizable dimensions

## DESCRIPTION

The ZMMC3 is through-hole force sensor which is available in a wide range of standard capacities from 50N through to 1000N. The ZMMC3 is configured for compression force measurement acting on cylinders, bolts or shafts. A range of internal through-hole diameters is available. The outer and inner diameter can be customized based on client's requirements.

## DIMENSIONS (mm)



## SPECIFICATIONS

PARAMETER	VALUE	UNIT
Standard capacities (E <sub>max</sub> )	50-1000	N
Rated output-R.O.	1.5	mV/V
Zero balance	1	±% of rated output
Non linearity	0.25	±% of rated output
Hysteresis	0.25	±% of rated output
Non-repeatability	0.1	±% of rated output
Creep error (30 minutes)	0.05	±% of rated output
Zero return (30 minutes)	0.05	±% of rated output
Temperature effect on min. dead load output	0.0026	±% of rated output/°C
Temperature effect on sensitivity	0.0015	±% of rated output/°C
Compensated temperature range	-10 to +40	°C
Operating temperature range	-20 to +60	°C
Safe overload	150	% of R.C
Ultimate overload	200	% of R.C
Excitation, recommended	10	Vdc
Excitation, maximum	15	Vdc
Input resistance	720±20	Ohms
Output resistance	700±3	Ohms
Insulation resistance	5000	Mega-Ohms
Material	Stainless steel	
Protection class	IP65	

All specifications listed subject to change without notice.

