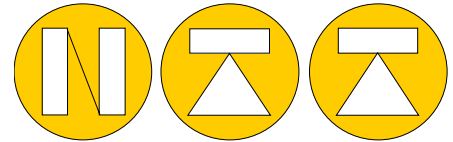




# C8S EN ISO 376



**NORDIC TRANSDUCER**



## LOW PROFILE COMPRESSION LOAD CELLS

Capacities from 1kN to 1 MN for use in:

- ° High accuracy test systems
- ° Other force measuring applications
- ° Classification according to : ISO376 or EN ISO376 or ASTM E74 on request

The C8S is a low profile hermetically sealed load cell made in stainless steel with IP68 protection grade. Their compact size makes them ideally suited for applications where space also is limited. They can together with our high accuracy instruments be used as reference load cells for all type of factory verification.

### SPECIFICATIONS C8S:

NOMINAL LOAD in kN	1-2.5-5-10-25-50-75-100-200-300-500-750 to 1MN		
ACCURACY CLASS	EN ISO 376 class "0.5"	EN ISO 376 class "1"	
<i>Percentual errors calculated to the value read, min 1/10 of the nominal load</i> RELATIVE ERROR ( on reading )			
Repeatability (0°-120°-240°) (b <sup>1</sup> )	< +/- 0.090%	< +/- 0.150%	
Interpolation (fc)	< +/- 0.045%	< +/- 0.090%	
Reversivity (u)	< +/- 0.120%	< +/- 0.200%	
Zero (fo) F.S.	< +/- 0.020%	< +/- 0.020%	
Linearity & Hysteresis	< +/- 0.030 % F.S.		
Temp. effect 10°C on zero	< +/- 0.030 % F.S.		
Temp. effect 10°C on sensitivity	< +/- 0.020 % F.S.		
NOMINAL SENSITIVITY +/-0.1%	2mV/Volt		
INPUT/OUTPUT RESISTANCE	700 Ohm	DISPLACEMENT N.LOAD	0.06 - 0.16 -0.23mm
ZERO BALANCE F.S.	0.5%	NOMINAL TEMP. RANGE	-10/+40 °C
SUPPLY VOLTAGE N.10V	2 - 15 Volt	SERVICE TEMP. RANGE	-20/+70 °C
MECHANICAL LIMIT VALUES RELATED TO NOMINAL LOAD		STORAGE TEMP. RANGE	-20/+80 °C
		PROTECTION CLASS	IP67
a) minimum load	0%	WEIGHT	1.56-3.42-9.43kg
b) service load	120%	CELL MATERIAL	Stainless Steel
c) max. permissible load	150%	CABLE LENGTH	5 meter
d) breaking load	>300%	FIXING SCREWS class 8.8	
e) max. side load	50%	Diameter	M8-M12-M16
f) max. dynamic load	50%	Tightening torque	40 - 80 - 130

**Cable:** PVC 105°C Ø6.5mm with 4 tinned conductors Ø 0.35mm<sup>2</sup> and tinned shield

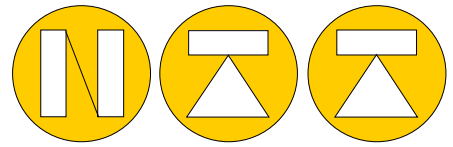
All specifications subject to change without notice

Gravity acceleration g = 9.804537 m/s<sup>2</sup>

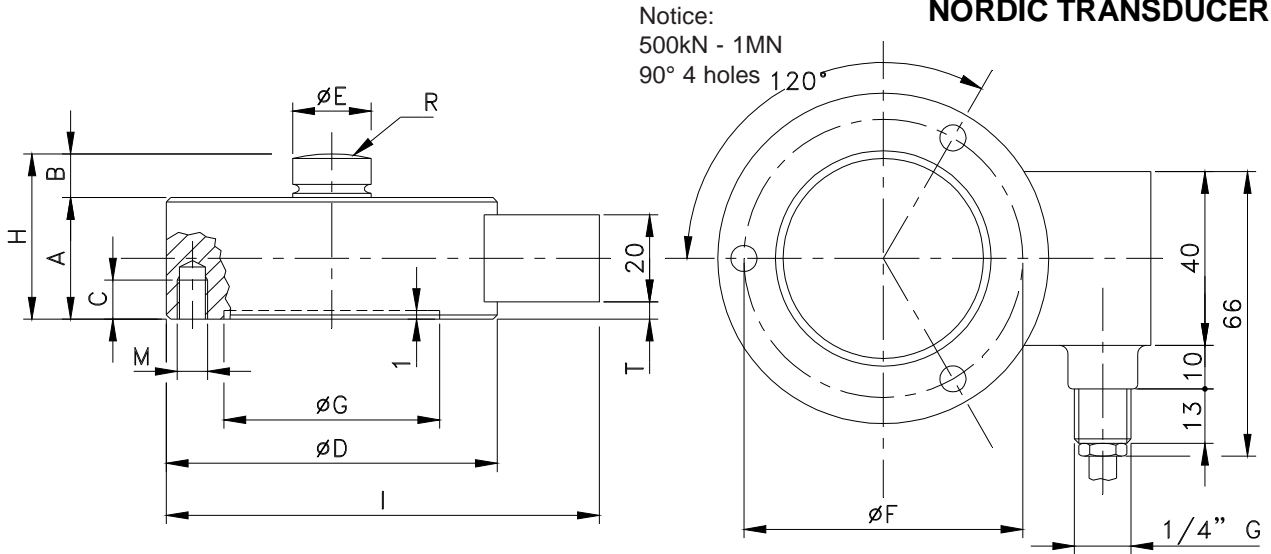
**Nordic Transducer**

Als Odde, DK-9560 Hadsund Denmark  
 Tel.: +45 98581444, Fax.: +45 98581866  
 E-mail: [ntt@ntt.dk](mailto:ntt@ntt.dk) WEB: <http://www.ntt.dk>

## C8S DIMENSIONS:



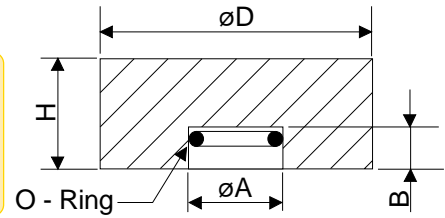
### NORDIC TRANSDUCER



CODELOADS	A	B	C	øD	øE	øF	øG	H	I	N° HOLES	M	R	T
C8S-82-1-100kN	32	12	10	82	22	68	54	44	102	3 XM8	8	50	4
C8S-126-200-300kN	40	14	16	126	35	105	79	54	148	3 xM12	12	160	6
C8S-165-500kN-1MN	60	20	20	165	60	130	94	80	188	4 xM16	16	300	17

A top load hed can also be supplied for C8S 1kN - 1MN

CODE	LOADS	øD	H	øA	B
TIC22	1 - 100kN	57	24	23	9
TIC35	200-300kN	76	30	36	12
TIC60	500kN-1MN	126	38	61	12



MP10 High accuracy Indicator for material testing  
0.0025% accuracy +/- 200.000 divisions

## Nordic Transducer

Als Odde, DK-9560 Hadsund Denmark  
Tel.: +45 98581444, Fax.: +45 98581866  
E-mail: [ntt@ntt.dk](mailto:ntt@ntt.dk) WEB: <http://www.ntt.dk>