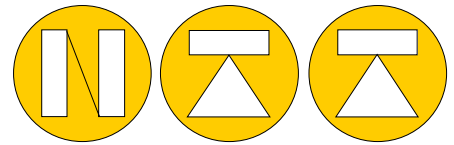




# CM-35 Mini Load cell



**NORDIC TRANSDUCER**



DFI  
LCD instrument



## CM -Ø35 Stainless Steel IP67 Mini Load Cell

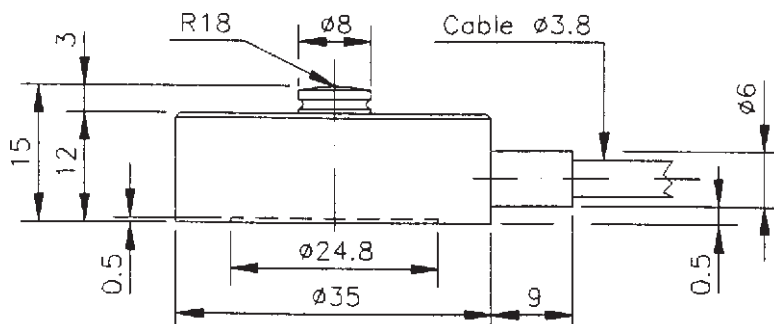
- ° Low profile Ø35mm Stainless Steel 0.20% .
- ° Capacities from 100kg to 2.5ton
- ° Very interesting for jobs where size is a problem
- ° Protection degree IP67
- ° NTT have also a complete Instrument program !

### TECHNICAL DATA:

°Linearity	+/-0,20%	°Min. Load	0%
° Hysteresis	+/-0,20%	°Service load	120%
° Repeatability	+/-0,05%	°Max load	150%
° Temp. effect 10°C zero	0,030%	°Breaking load	300%
° Temp. effect 10°C span	0,025%	°Max. side load	50%
° Sensitivity	2mV/V +/-0,2%	°Max. dynamic load	50%
° Supply	10V max. 18V	°Temp range	-10°C+40°C
° Input resistance	400 Ohm	° Weight with cable	0,130kg
° Output resistance	350 Ohm	°Displacement at nominal load	0,2mm
° Zero balance	1%	° Nominal loads: 100-250-500kg ,1.0t-2.5 t	
° Cable length	3m		

### DIMENSIONS:

Type: CM-Ø35 mini Load cell only 15mm Heigh



LOAD CELL STANDARD CABLE

INPUT+	RED
INPUT-	BLACK
OUTPUT+	WHITE
OUTPUT-	YELLOW
SHIELD	

**Nordic Transducer**

Als Odde, DK-9560 Hadsund Denmark  
E-mail: [ntf@ntf.dk](mailto:ntf@ntf.dk) WEB: [www.ntf.dk](http://www.ntf.dk)