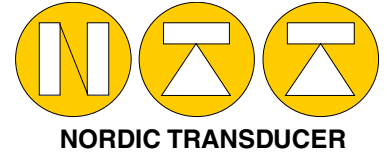
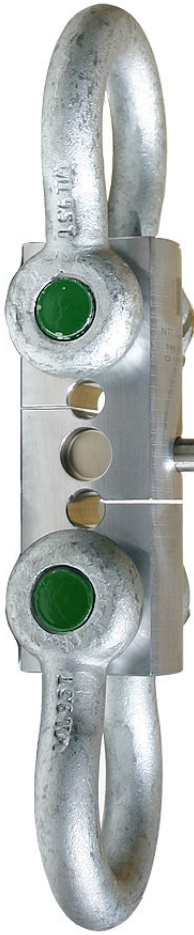




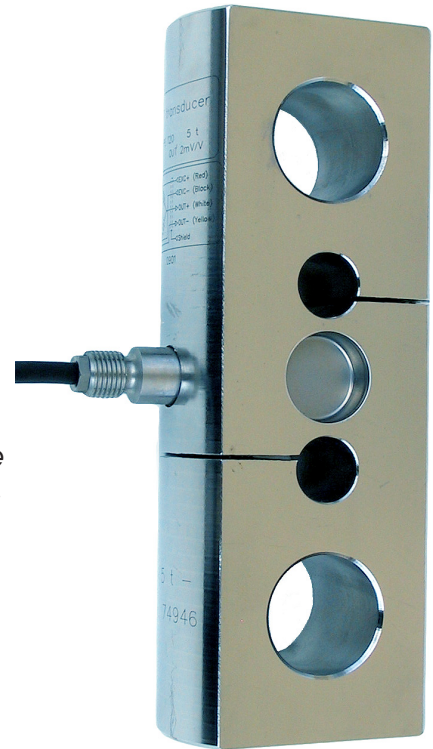
2008 T20-C2 Tension Cell



NORDIC TRANSDUCER



The **T20** is a stainless steel tension type cell which can be used in many places where "normal" tension load cells are not appropriate. It is a very robust cell that can be used under severe hostile environments and is very easy to connect via standard shackles linkage as shown here.



T20-C2 SPECIFICATIONS

NOMINAL LOAD	5-7.5-10-15-20 t	a) minimum load	0%
MINIMUM RANGE	20%	b) service load	120%
COMBINED ERROR	< +/- 0.023%	c) max. permissible load	150%
NON REPEATABILITY	< +/- 0.014%	d) breaking load	>300%
ZERO DRIFT 30 MIN	< +/- 0.030%	e) max. side load	200%
TEMPERATURE EFFECT 10°C		f) max. dynamic load	75%
on zero	< +/- 0.028 %	DISPLACEMENT N. LOAD	0.3mm
on span	< +/- 0.008 %	NOMINAL TEMP. RANGE	- 10/+40 °C
NOMINAL SENSITIVITY +/-0.1%	2mV/Volt	SERVICE TEMP. RANGE	-20/+70 °C
INPUT RESISTANCE	420 Ohm	PROTECTION CLASS	IP68
OUTPUT RESISTANCE	350 Ohm	WEIGHT	4.43 - 10 kg
ZERO BALANCE	0.5%	CELL MATERIAL	Stainless steel
SUPPLY VOLTAGE N.10V	2 - 15 Volt	CABLE LENGTH	5 meter

All specifications subject to change without notice

Gravity acceleration $g = 9.804537 \text{ m/s}^2$

Cable: PVC 105°C Ø6.5mm with 4 tinned conductors Ø 0.35mm² and tinned shield

Nordic Transducer

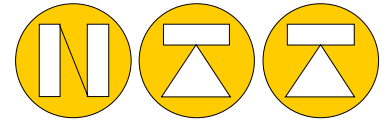
Als Odde, DK-9560 Hadsund Denmark

Tel.: +45 98581444, Fax.: +45 98581866

E-mail: ntt@ntt.dk WEB: www.ntt.dk



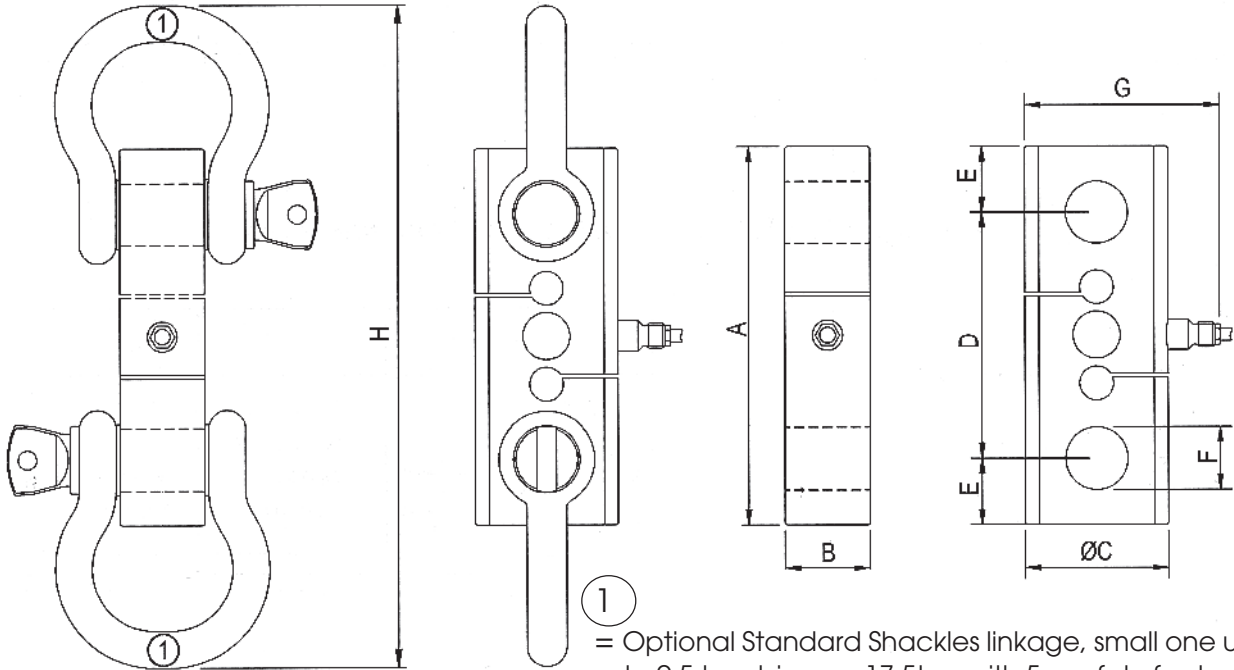
2008



NORDIC TRANSDUCER

LOAD CELL TYPE T20-C2

T20-C2 DIMENSIONS



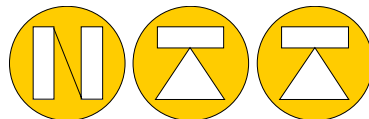
CODE	LOAD	A	B	ØC	D	E	*F	G	H
TC205TC2	5t	200	45	76	130	35	33	103	434
TC2075TC2	7.5t	200	45	76	130	35	33	103	434
TC2010TC2	10t	200	45	76	130	35	33	103	434
TC2015TC2	15t	250	54	82	156	47	42.5	109	566
TC2020TC2	20t	250	54	82	156	47	42.5	109	566



DFI INSTRUMENT FOR T20 LOAD CELL
 Can be mounted on the cell or via a cable
 5-20m long.

Wiring:

Excitation+	Red
Excitation-	Black
Output+	White
Output-	Yellow



NORDIC TRANSDUCER

Nordic Transducer

Als Odde, DK-9560 Hadsund Denmark
 Tel.: +45 98581444, Fax.: +45 98581866
 E-mail: ntt@ntt.dk WEB: www.ntt.dk