

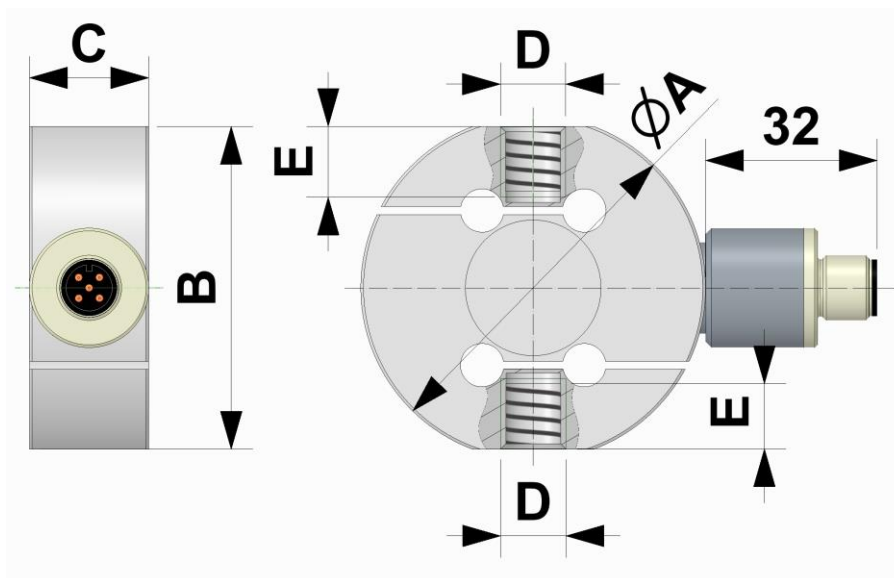
Accessories

A

Ü[á/Ö) á/Ö) á/Ö) *•



Dimensions



LOAD	A	B	C	D	E	F	H
from 10 kg to 500 kg	63.5	59.5	22	M12X1.75	12	~ 112	~ 134
from 500 kg to 2t	82	78	30	M16X2	20	~ 130	~ 170
from 2.5t to 7.5t	82	78	30	M20X1.5	20	~ 130	~ 194

Technical Data



	ACCURACY	0.03 %
	NOMINAL LOAD (E_{max})	10 - 25 - 50 - 100 kg 200 - 300 - 500 kg 1 - 2 - 2.5 - 5 - 7.5 t
	NOMINAL SENSITIVITY NOMINAL SENSITIVITY NOMINAL SENSITIVITY CALIBRATION TOLERANCE	4-20 mA (3 wires) $\pm 5 \text{ V}^{(1)}$ $\pm 10 \text{ V}^{(1)}$ $< \pm 0.1 \%$
	NON-LINEARITY NON-REPEATABILITY	$\leq \pm 0.023 \%$ $\leq \pm 0.015 \%$
	TEMPERATURE EFFECT (10 °C) a) on zero b) on sensitivity	$\leq \pm 0.028 \%$ $\leq \pm 0.012 \%$
	NOMINAL POWER SUPPLY 4-20 mA e $\pm 5 \text{ V}$ $\pm 10 \text{ V}$	12 – 24 Vdc 18 – 24 Vdc
	MAX. POWER SUPPLY MAX. ABSORPTION (without load) LOADING RESISTANCE: a) tension b) current INSULATION RESISTANCE ZERO BALANCE RESPONSE FREQUENCY	28 Vdc 30 mA min. 3 K Ω from 0 to 470 Ω $> 2 \text{ G}\Omega$ $\pm 1 \%$ $\sim 1 \text{ kHz}$
	MECHANICAL LIMIT values referred to nominal load: a) minimum load b) service load c) max permissible load d) breaking load e) max transverse load f) max permissible dynamic load DISPLACEMENT AT NOMINAL LOAD	0 % 120 % 150 % $> 300 \%$ 100 % 50 % $\sim 0.2 \text{ mm}$
	REFERENCE TEMPERATURE TEMPERATURE NOMINAL RANGE SERVICE TEMPERATURE STORAGE TEMPERATURE	+ 23 °C - 10 / + 40 °C - 20 / + 70 °C - 20 / + 80 °C
	WEIGHT	~ 0.6 kg ~ 1.2 kg ~ 2.6 kg
	PROTECTION CLASS (EN 60529) EXECUTION MATERIAL CONNECTOR OUTPUT	IP65 --- Inox / Stainless Steel M12 4 Poles Male connector
RECOMENDED ROD.END.BEARINGS	RECOMMENDED KNUCKLE JOINTS	EM12 - EM 17 EM20 - EM25

Acceleration of gravity $g=9.80434 \text{ m/s}^2$





⁽¹⁾Positive output in TENSION

OPZIONI

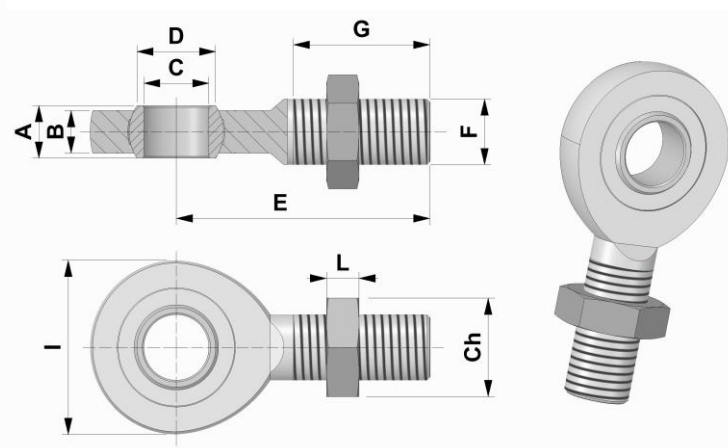
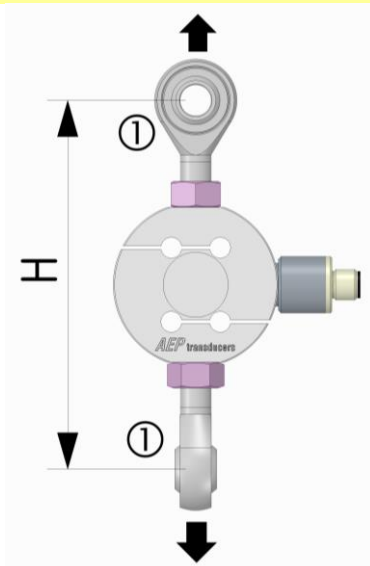
Da acquistare separatamente

OPTIONS

To be purchased separately

	CONNM12FV5	CONNETTORE M12x1 femmina 5 poli dritto completo di CAVO PVC costampato schermato lunghezza 3 m.	<i>Female 5 poles straight M12x1 CONNECTOR complete PVC molded CABLE, shielded, length 3 m.</i>
	CMIL6MF	Uscita diretta connettore MIL6M	<i>Direct output connector MIL6M</i>
	CMIL6FV5	CONNETTORE MIL6M femmina 6 poli dritto completo di CAVO PVC schermato lunghezza 5 m.	<i>Female 6 poles straight MIL6M CONNECTOR complete PVC CABLE, shielded, length 5 m.</i>
	CRT	Rapporto di taratura. Compressione o Trazione.	<i>Calibration Report. Compression or TENSION</i>

Applications



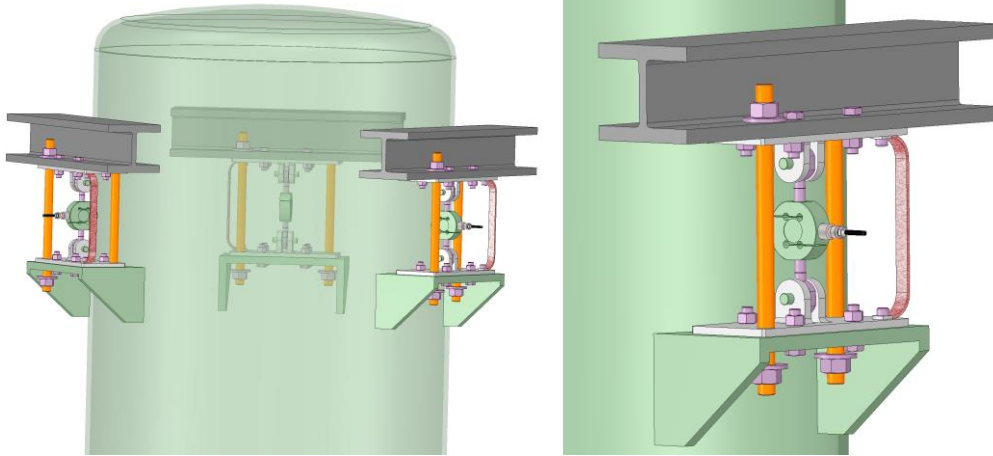
① Rod-End-Bearings

Code:	A	B	C	D	E	F	G	I	L	Ch	H
CACCEM12	10	8	12	14.9	54	M12	28	34	7	19	~134
CACCEM16	14	11	17	20.7	69	M16	36	46	8	24	~170
CACCEM20	16	13	20	24.1	78	M20x1.5	43	53	9	30	~102
CACCEM25	20	17	25	29.3	94	M24x2	53	64	10	36	~235

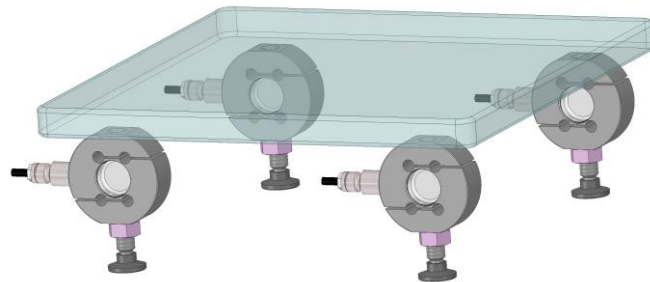
Dimensions according to ISO 12240-4 series E

Esempi d'installazione

Examples of installation



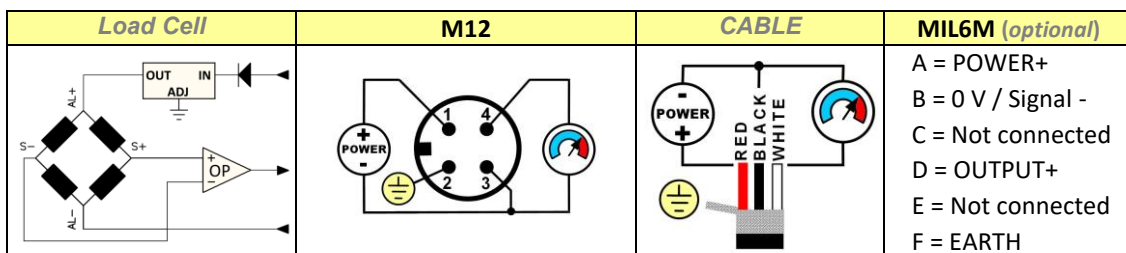
Silo with 3 TENSION supporting points



Platform with 4 supporting points with jointed feet.

Electrical Connections

STANDARD OUTPUT: PVC 105°C shielded cable, \varnothing 5.2mm with $4 \times \varnothing$ 0.35mm² tinned conductors.



Shield connected to the body of the transducer.