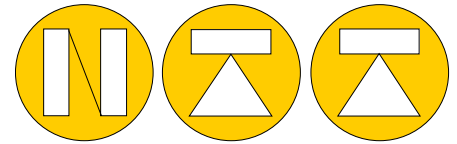


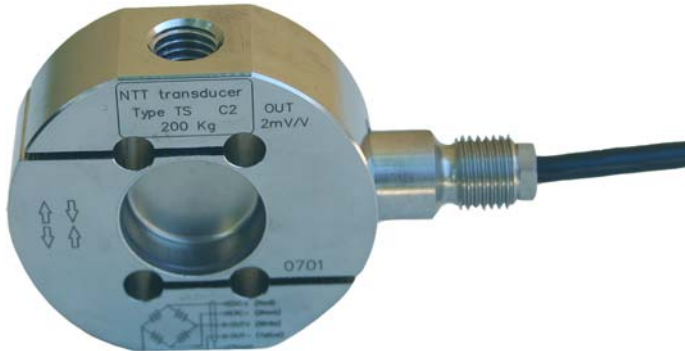


Tension Load Cell Type TS



NORDIC TRANSDUCER

IP68 Laser welded



The **TS** is a stainless steel tension & compression type cell which can be used at many places where "normal" load cells not are appropriate. It is a very robust cell there can be used under server hostile environments and very easy be connected via standard rod - ends bearings or mounted with compression button.

From 50kg to 7.5ton

TS SPECIFICATIONS

NOMINAL LOAD	*50-100 - 200 - 300kg - 0.5t -1- 2.5 - 5 - 7.5 t		
MINIMUM RANGE	C2 20%	C3 30%	
COMBINED ERROR	< +/- 0.023%	< +/- 0.018%	
NON REPEATABILITY	< +/- 0.012%	< +/- 0.010%	
ZERO DRIFT 30 MIN	< +/- 0.030%	< +/- 0.020%	
TEMPERATUR EFFECT 10°C			
on zero	< +/- 0.028 %	< +/- 0.020%	
on span	< +/- 0.012 %	< +/- 0.010%	
NOMINAL SENSITIVITY +/-0.1%	2mV/Volt	a) minimum load	0%
INPUT RESISTANCE	350 Ohm	b) service load	120%
OUTPUT RESISTANCE	350 Ohm	c) max. permissible load	150%
ZERO BALANCE	0.5%	d) breaking load	>300%
SUPPLY VOLTAGE N.10V	2 - 15 Volt	e) max. side load	100%
<p>Wiring:</p> <p>Excitation+ Red</p> <p>Excitation- Black</p> <p>Output+ White</p> <p>Output- Yellow</p> <p>Cable: PVC 105°C Ø6.5mm with 4 tinned conductors Ø 0.35mm² and tinned shield</p>	f) max. dynamic load		50%
	DISPLACEMENT N.LOAD		0.2mm
	NOMINAL TEMP. RANGE		- 10/+40 °C
	SERVICE TEMP. RANGE		-20/+70 °C
	PROTECTION CLASS		IP68 *50kg IP65
	WEIGHT		0.580 - 2.75 kg
	CELL MATERIAL		Stainless steel
	CABLE LENGTH		5 meter

All specifications subject to change without notice



Nordic Transducer

Als Odde, DK-9560 Hadsund Denmark
Tel.: +45 98581444, Fax.: +45 98581866
E-mail: ntt@ntt.dk, WEB: www.ntt.dk

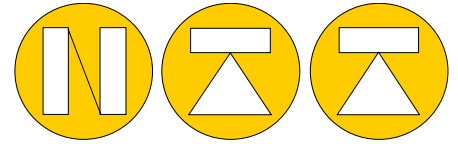


Nordisk Transducer Teknik

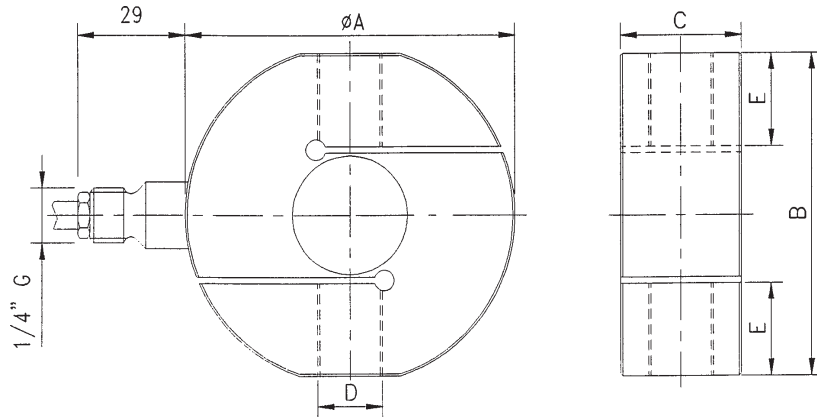


Force measurement

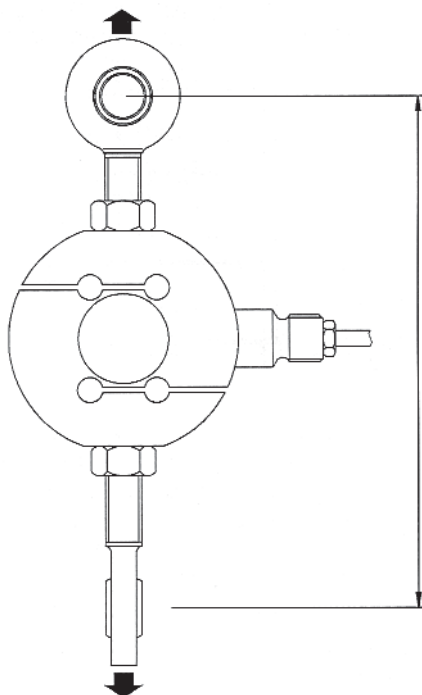
TS Dimensions:



NORDIC TRANSDUCER



CODE Class C2 (OIML R60)	CODE Class C3 (OIML R60)	LOADS	ØA	B	C	D	E
CTS6350KC25	CTS6350KC35	50 kg	63.5	59.5	22	M12x1.75	14.5
CTS63100KC25	CTS63100KC35	100 kg	63.5	59.5	22	M12x1.75	14.5
CTS63200KC25	CTS63200KC35	200 kg	63.5	59.5	22	M12x1.75	14.5
CTS63300KC25	CTS63300KC35	300 kg	63.5	59.5	22	M12x1.75	14.5
CTS82500KC25	CTS82500KC35	500 kg	82	78	30	M16x2	22.5
CTS821TC25	CTS821TC35	1t	82	78	30	M16x2	22.5
CTS822TC25	CTS822TC35	2 t	82	78	30	M16x2	22.5
CTS822T5C25	CTS822T5C35	2.5 t	82	78	30	M20x1.5	22.5
CTS1025TC25	CTS1025TC35	5 t	102	90	45	M24x2	22.5
CTS1027T5C25	CTS1027T5C35	7.5 t	102	90	45	M24x2	22.5



Standard Rod end Bearings
can also be supplied !



Nordic Transducer

Als Odde, DK-9560 Hadsund Denmark
Tel.: +45 98581444, Fax.: +45 98581866
E-mail: ntt@ntt.dk, WEB: www.ntt.dk