

NORDIC TRANSDUCER

## Middle Distance MS602 Series Draw Wire Position Sensor

**Long Life Sensor, for high Demands Jobs ! Service Life >2Mio strokes**

**Series MS602 0...3000mm**

### Series MS602

#### 1. output types

- Analogue: potentiometer,0-10v,0-5v,4-20mA
- Digital: TTL/push-pull/OC
- Digital-Absolute: SSI

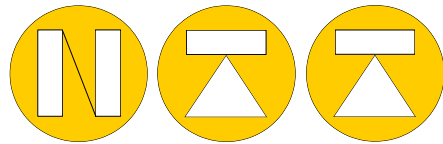
#### 2.Linearity

- Analogue output  $\pm 0.12\%$  of FS
- Digital/Digital-absolute  $\pm 0.05\%$  of FS



#### 3.Technical data

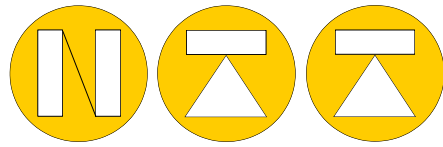
Output type	Digital	Analogue
<b>Measure Range</b>	0-3000mm	0-3000mm
<b>Sensor element</b>	Encoder	Potentiometer
<b>Stainless steel</b>	Ø1.3mm High tenacity wire-rope	Ø1.3mm High tenacity wire-rope
<b>Output</b>	Open Collect (PNP)	0-5KΩ, 0-10KΩ
	Long Line Driver	4-20mA, 2 wire or 4 wire
	Push pull	0-5V,0-10V
<b>Translation circuit</b>	No	Built-in, External, External module
<b>Output zero and output full</b>	No	Adjustable
<b>Linearity</b>	$\pm 0.05\%$ FS	$\pm 0.12\%$ FS
<b>Repeatability</b>	0.01%	0.01%
<b>Resolution(mm)</b>	0.25,0.16,0.05,0.04, etc.	Infinitesimal
<b>Staring Force</b>	6N	6N
<b>Max. Velocity</b>	4000mm/S	4000mm/S
<b>Vibration frequency</b>	20HZ	20HZ
<b>Response frequency</b>	300K Hz	300K Hz
<b>Power</b>	Due to output	<1W
<b>Working voltage</b>	5V 5-24V	10-30V,12V, 24V, 28V



**NORDIC TRANSDUCER**

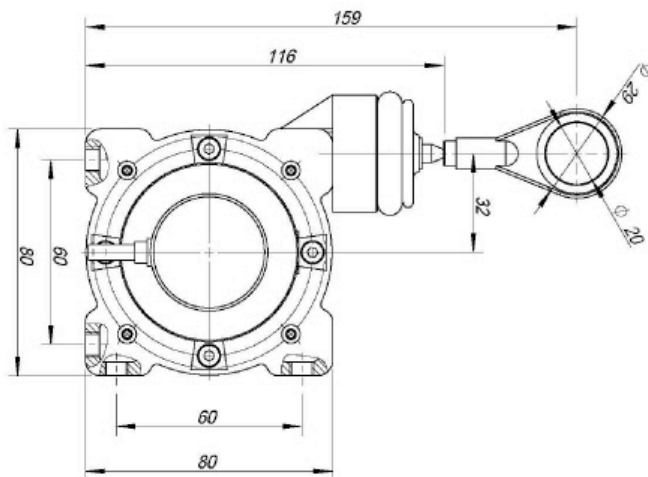
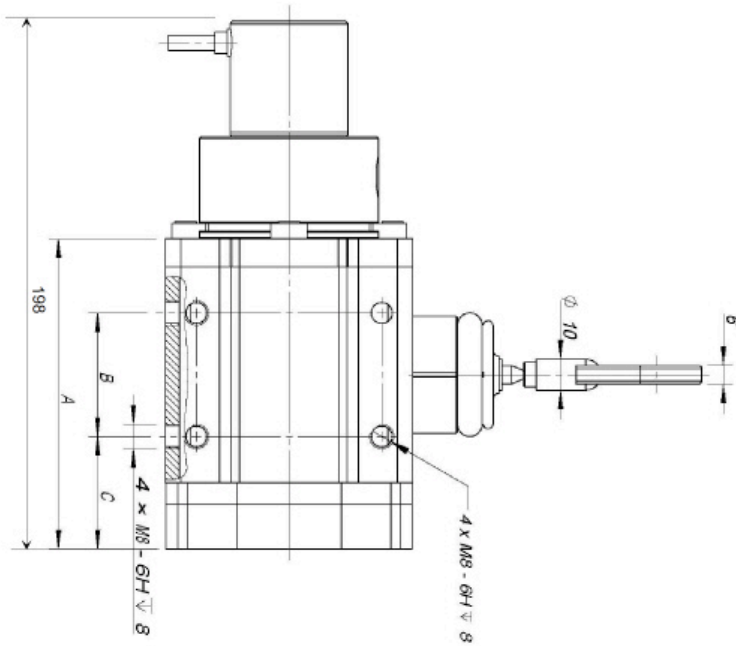
<b>Weight</b>	1580g	1580g
<b>Working temp range</b>	0C~+40C	0C ~+40C
<b>Service life</b>	>2Mio	>2Mio
<b>Anti- vibration</b>	10HZ-1500HZ; 10G	10HZ-1500HZ; 10G
<b>Cable length</b>	4M	4M
<b>Housing component</b>	Titanium-anodized Aluminum, the coating is a hart anodic oxidation that protects the sensor from corrosion	Titanium-anodized Aluminum, the coating is a hart anodic oxidation that protects the sensor from corrosion
<b>Protection Class</b>	IP65	IP65





**NORDIC TRANSDUCER**

NORDIC TRANSDUCER [www.ntt.dk](http://www.ntt.dk) [ntt@ntt.dk](mailto:ntt@ntt.dk)



	A	B	C
MS602	100	40	35
Wire working range	Outputs options: 4-20mA		
0...3000mm	0...5Volt or 0...10Volt		