

NORDIC TRANSDUCER

Long Distance MS902 Series Draw Wire Position Sensor

Series MS902 **20 meter**

1. Output types

- Analogue: potentiometer, 0-10V, 0-5V, 4-20mA
- Digital: TTL/push-pull/OC
- Digital-Absolute: SSI



2. Linearity

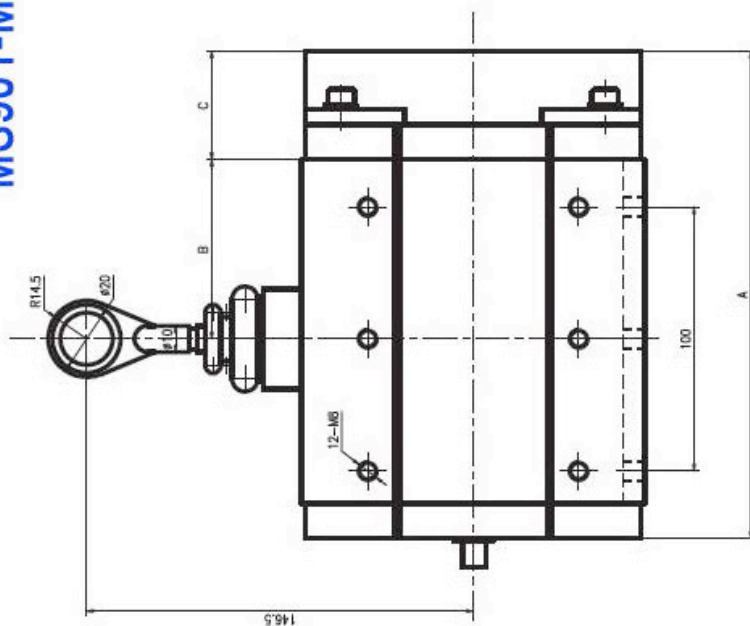
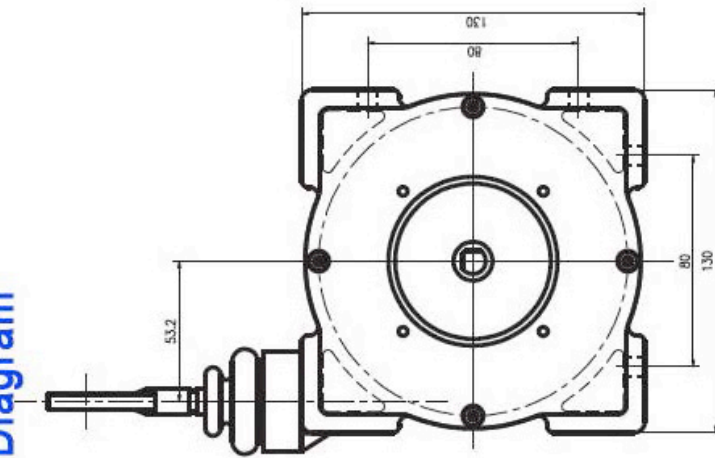
- Analogue output $\pm 0.12\%$ of FS
- Digital/Digital-absolute $\pm 0.05\%$ of FS

3. Technical data

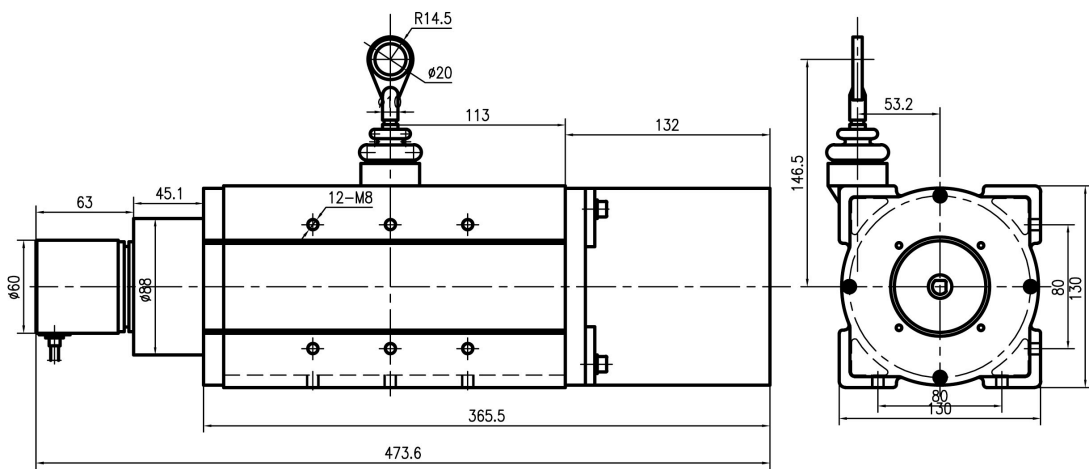
Output type	Digital	Analogue
Measure Range	0-20m	0-20m
Sensor element	Encoder	Potentiometer
Stainless steel	$\varnothing 1.3\text{mm}$ High tenacity wire-rope	$\varnothing 1.3\text{mm}$ High tenacity wire-rope
Output	Open Collect (PNP)	0-5K Ω , 0-10K Ω
	Long Line Driver	4-20mA, 2wire or 4 wire
	Push pull	0-5V, 0-10V
Translation circuit	No	Built-in, External, External module
Output zero and output full	No	Adjustable
Linearity	$\pm 0.05\%$ FS	$\pm 0.12\%$ FS
Repeatability	0.01%	0.01%
Resolution(mm)	0.333, 0.1665, 0.1332mm Pulse	Infinitesimal
Max. Velocity	4000mm/S	4000mm/S
Start Force	6N	6N
Vibration frequency	50HZ	50HZ
Response frequency	300K Hz	300K Hz
Power	Due to output	<1W
Working voltage	5V 5-24V	10-30V, 12V, 24V, 28V
Weight	9.2kg	9.2kg
Working temp	0C ~ +30C	-0C ~ +30C

range		
Service life	>2Mio	>2Mio
Anti- vibration	10HZ-1500HZ; 10G	10HZ-1500HZ; 10G
Cable length	4M	4M
Housing component	Titanium-anodized Aluminum, the coating is a hart anodic oxidation that protects the sensor from corrosion	Titanium-anodized Aluminum, the coating is a hart anodic oxidation that protects the sensor from corrosion
Protection Class	IP65	IP65

MS901-MS906 Size Diagram



	A	B	C	A	B	C
MS901	184.5	68	41	MS904	482.5	158
MS902	365.5	113	132	MS905	482.5	158
MS903	482.5	158	159	MS906	482.5	158



MS902 15 & 20meter working length with encoder mounted.

