

MINI LINEAR MOTION POSITION TRANSDUCER

Ø12.9mm Standard stroke range: 10...150mm



This mini position transducer is designed for direct absolute measurement and available in stroke Length up to 150mm. The mini design is suitable for mounting in instruments or machines with limited space and specially design for moving stock application.

An improved technique for making connection to resistance track (Double Trimming Technique) ensures the higher degrees of reliability and linearity, while multi-fingers wipers stabilize output signals, even in the most adverse working conditions.

There are 2 ways of mountings to suit different applications:

PZ12 can be mounted by two adjustable brackets.

PZ12A can be mounted by self-aligning ball joints

PZ12F can be flanged mounted.

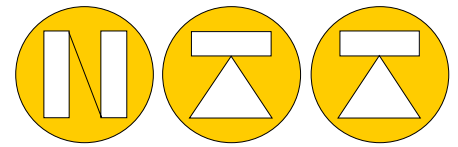
Unique Features

- Mini design for limited space
- Anodized Aluminium Housing
- Very Long Life
 - >100 x 10⁶ cycles
 - > 25 x 10⁶ m
- Stroke 10....150mm
- Outstanding Linearity up to ±0.05%
- High Resolution Infinite
- Excellent Repetability ± 0.01 mm
- Max operating speed 5m/s max.
- Fixed 3 wire connection 1m cable
- Sealing to IP60 (IP65 optional)

Technical Specifications

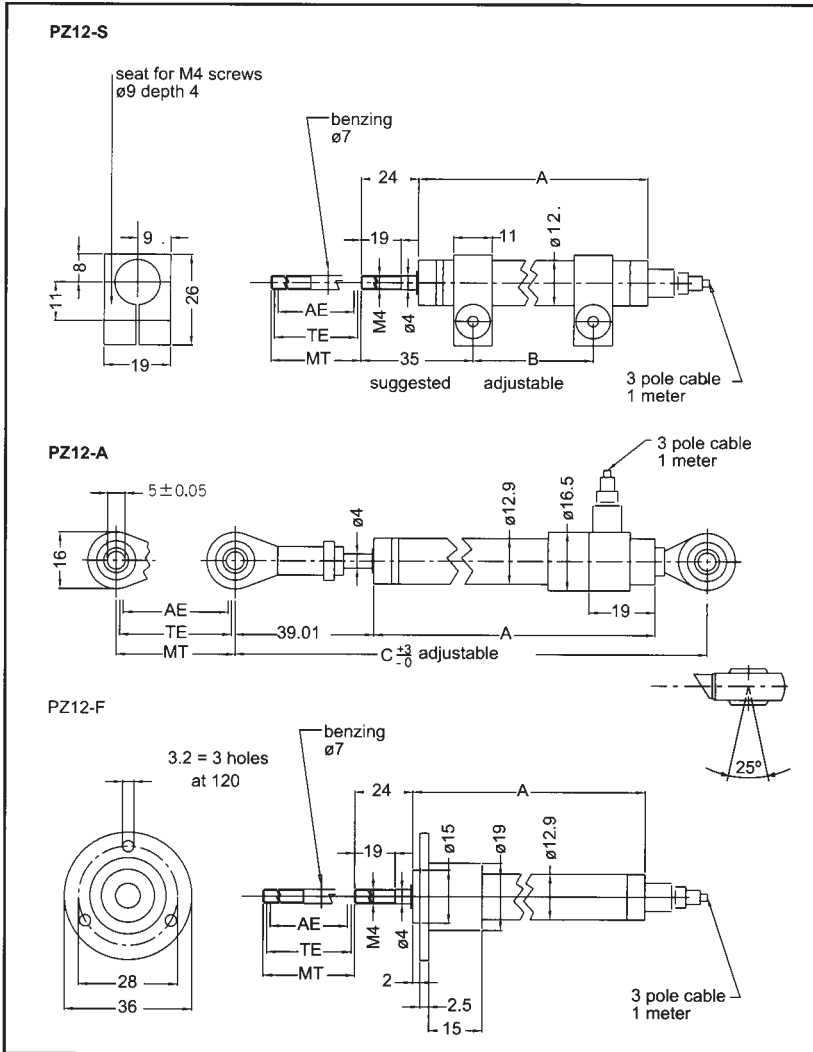
Sealing- PZ12	IP60(option P = IP65)
Current	Resistance <10mA
Wiper	< 1 µA
Operating Force	<0.5N (IP60)
Operating Force	< 5N (IP65)
Power Consumption	3W-10W
Output Smoothness	<± 0.1% against input voltage
input Voltage	60V Max
Insulation Voltage	500V-1min Residue <5 µA
Vibration	FC 68-2-6:1982 10g
Shock	FC 68-2-29:1968 40g

PZ12 Series LINEAR MOTION POSITION TRANSDUCER

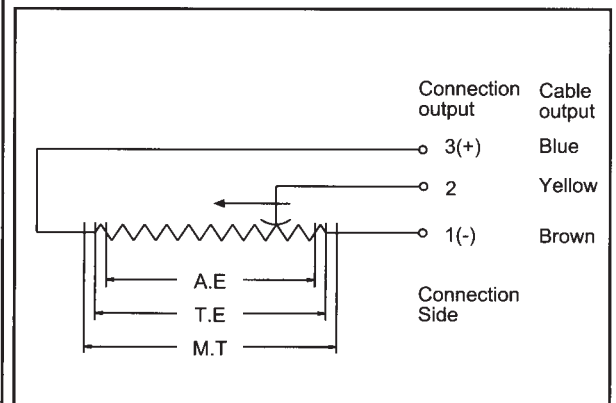
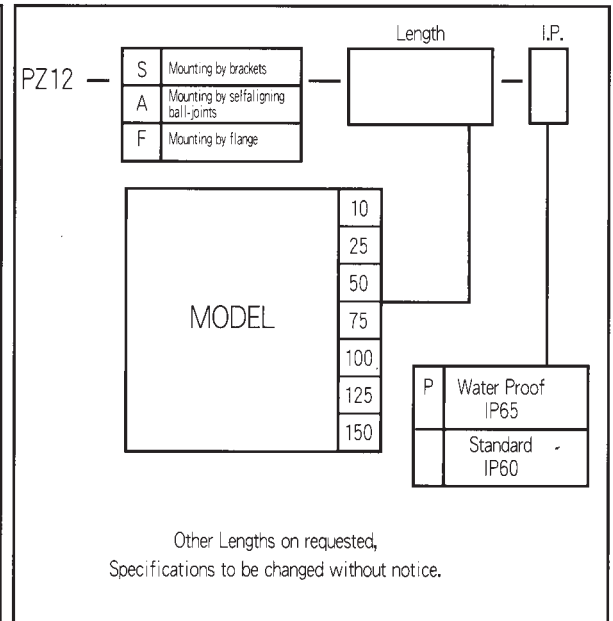


NORDIC TRANSDUCER

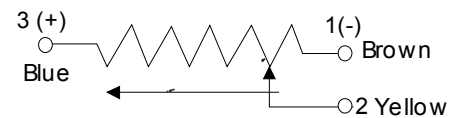
ELECTRICAL CONNECTIONS



ORDER CODE



Electrical connections



PZ12 series		10	25	50	75	100	125	150
Total Electrical Travel(T.E)	mm	11	26	51	76	101	126	151
Active Electrical Travel (A.E)	mm	10	25	50	75	100	125	150
Resistance $\pm 20\%$	k Ω	1	1	2	3	4	5	6
Independent Linearity	$\pm\%$	0.3	0.2	0.1	0.1	0.1	0.05	0.05
Mechanical Travel (M.T)	mm	15	30	55	80	105	130	155
Resolution		infinite						
Recommended Cursor Current	μA	< 1						
Temperature Range	$^{\circ}C$	-30 to +100						
Dimensions (A) PZ12-S	mm	59.5	74.5	99.5	124.5	149.5	174.5	199.5
Dimensions (A) PZ12-A	mm	87	102	127	152	177	202	227
Dimensions (A) PZ12-F	mm	59.5	74.5	99.5	124.5	149.5	174.5	199.5
Dimensions (B)	mm	27	42	67	92	117	142	167
Dimensions (C)	mm	138	153	178	203	228	253	278
Net Weight PZ12-S	gm	30	45	55	65	75	85	95
Net Weight PZ12-A	g m	55	70	80	90	100	110	120
Net Weight PZ12-F	gm	45	60	70	80	90	100	110

* Dimensions for reference only