

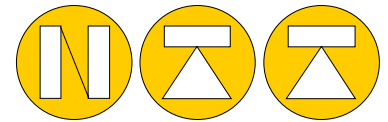
SBS1U SERVO INCLINOMETER

STABILIZING / MOVEMENT / DEFLECTION / ++++ JOBS

EXTREME SENSITIVE INCLINOMETER

SENSITIVITY = 0.01 ANGEL/SEC = 0.00000278 DEGREE

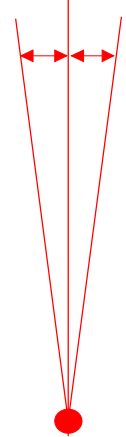
= 48µm / km !



NORDIC TRANSDUCER

WORKING RANGE

+/-1degree



SBS1U Inclinometer is due to it's VERY HIGH sensitivity and small working range mend for being used for special control jobs as typically stabilizing control of all kind of constructions which need to be inspected on-line !

As; Bridges, Tunnels, Pipelines, Buildings, Platforms even as earthquake warning, the **SBS1U** can be utilized !.

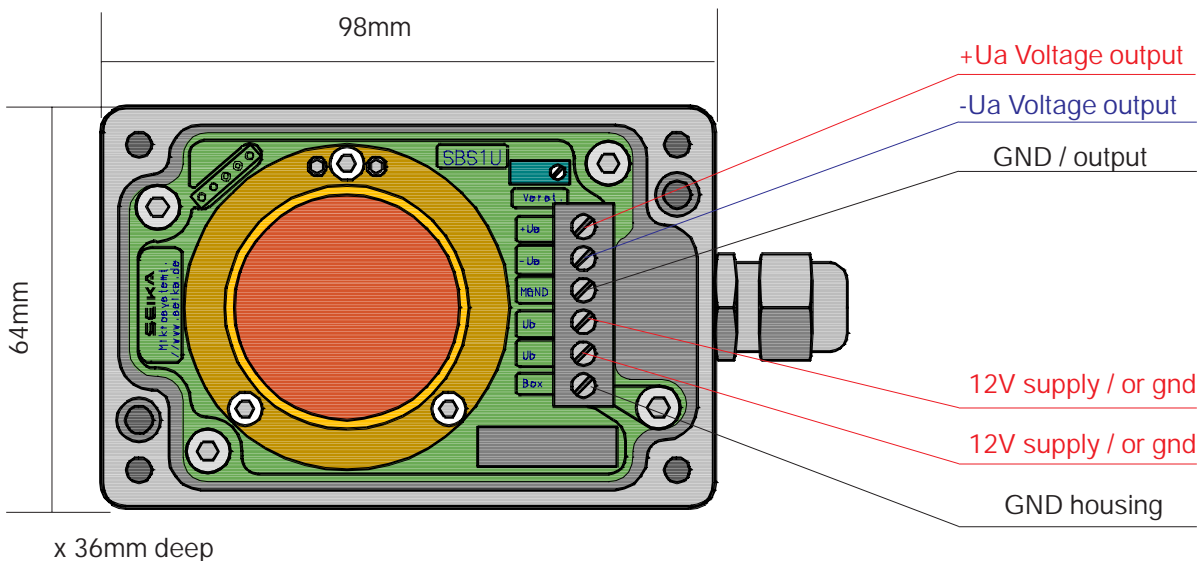
SBS1U will work on a non-regulated DC 12Volt (+/-20%) supply.

Output as general is 5Volt DC, but can be wired i different ways as asymmetrical (0...+5V / +5V...0V) or symmetrical as 0V +/- 5V .

Power supply and output signals are galvanic separated from sensor housing.

Cabling has to be done by means of special cables which do live up the very high sensitivity of the sensor.

SBS1U has been constructed with use of all modern knowledge of EMC protection for the sensor it self, the power supply and the signal output part also, and built into a mechanical strong, IP65 aluminium (sea-water resistant) housing. As option this can be supplied completely closed/filled with a special compound for ultimate protection.

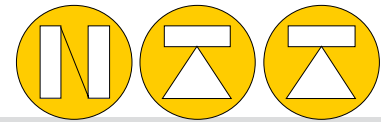


Further information on **SBS1U** please call us at NTT :

Nordisk -Transducer -Teknik

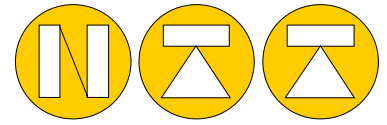
DK-9560 Hadsund Denmark Tel.: +45 98581444, Fax.: +4598581866 E-mail: ntt@ntt.dk - WEB: www.ntt.dk

Technical Specifications

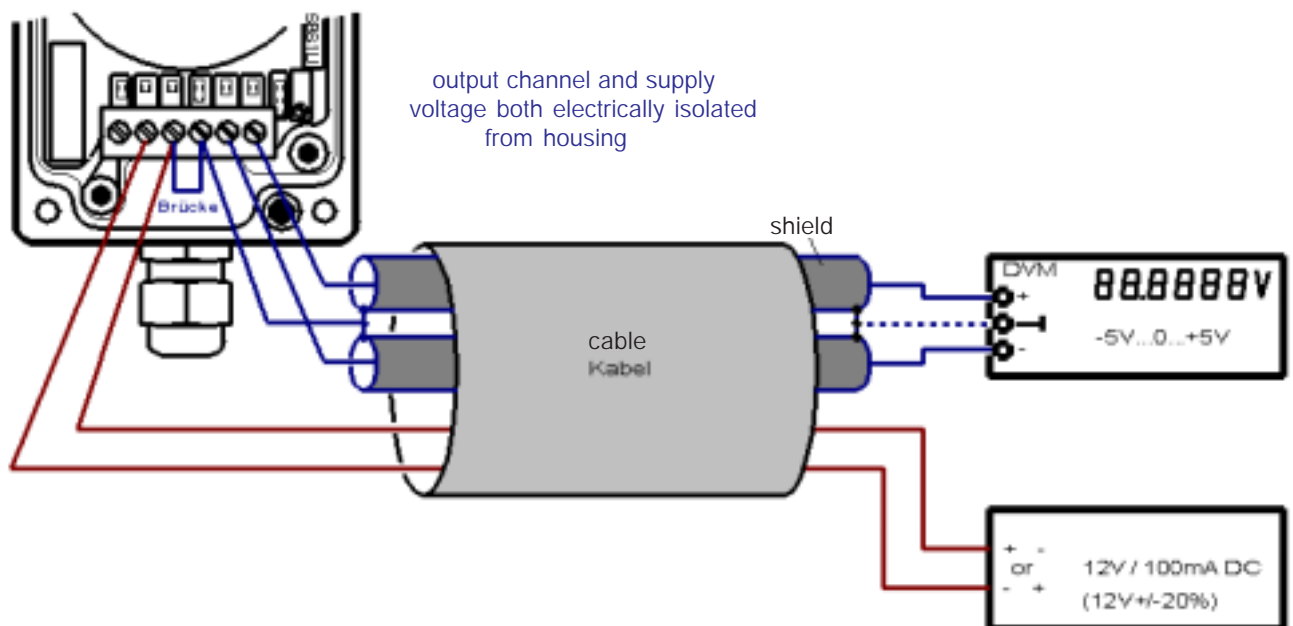
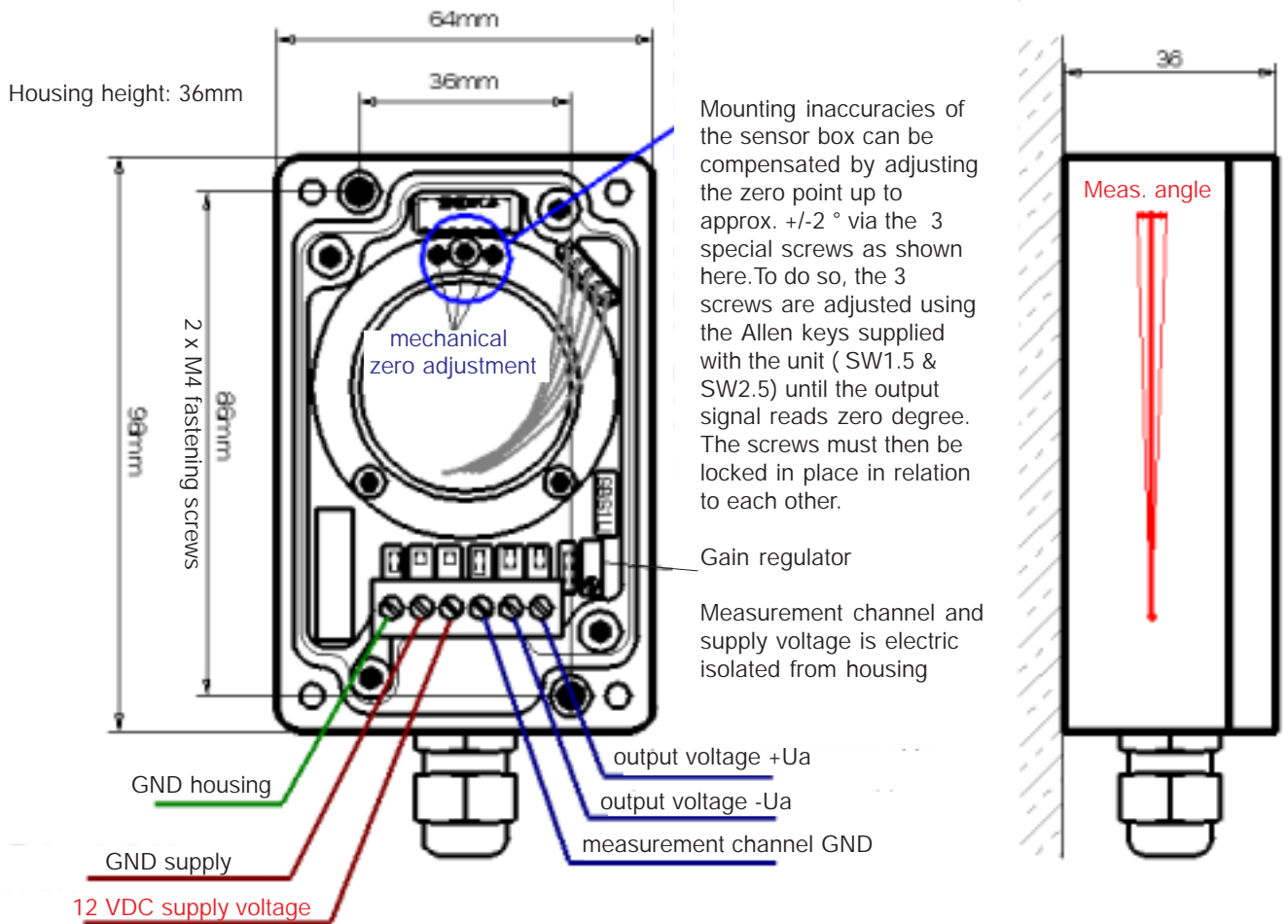


Terminals	max.: 6 x 1,5mm ²	NORDIC TRANSDUCER
Cable fixing	PG9, clamping range 4.5 - 6.5 mm	
Measuring range	max. ±1 degree , smaller ranges optional	
Resolution	0,01 arc seconds = 48µm/km!	
Degree of protection	IP65	
Mounting orientation	see drawing	
Supply voltage	9...14Volt	
Operating current	max. 100mA	
Normalized asymmetric output voltage range (GND -> Ua+)	0...+5Volt	
Normalized asymmetric output voltage range (GND -> Ua-)	+5...0Volt	
Normalized symmetric output voltage range (Ua- -> Ua+)	-5...+5Volt	
Asymmetric zero output voltage (GND -> Ua+)	+2,5Volt	
Asymmetric zero output voltage (GND -> Ua-)	+2,5Volt	
Symmetric zero output voltage (Ua- -> Ua+)	0 Volt	
Output impedance	approx. 100Ohm	
Recommended cable	see drawing	
Cable length taking voltage drop due to the operating current into account	any (e.g. 500m for 12V or 1km for 15V voltage supply and using the recommended or equivalent cable)	
Capacitive output loading capacity	any	
Resistive output loading capacity	greater than 100 kOhm	
Output driver	operational amplifier TLC2274	
Adjustable variable amplification		
Signal rise time (to 98%of step input)	approx. 2 seconds	
Step input response	PT2	
Operating temperature	-40...+85°C	
Mechanical angle adjustment range	±2°	

Options: special measuring ranges, calibration protocol, partial silicon encapsulation, custom wiring



NORDISK TRANSDUCER



Nordisk -Transducer -Teknik